



# LED LINEAR CATALOGUE

VIVALYTE B.V.  
Tel.: +32 56 42 65 35  
Mail: [info@vivalyte.com](mailto:info@vivalyte.com) Web: [www.vivalyte.com](http://www.vivalyte.com)  
Add.: Kouterstraat 6, Wevelgem, B-8560, Belgium VAT: BE500611159



2021-2022

# LINEAR LIGHTING

# TOP5 REASONS TO CHOOSE OUR LINEAR LIGHTING

#1

## BEST-IN-CLASS SERVICES

- Customized spec support, private label service
  - 24 hours response policy
  - Solution offering with result-oriented
  - Technical, Sales, Marketing team service
- 

#2

## EXPERIENCE YOU CAN TRUST

- Aiming to long-term partner relationship
  - Focus on the advantage LED manufacturing technology
  - Serving for High-end Market over since 2004, 972 employees
  - Over than 55 million US Dollar annual sales
- 

#3

## CLASSIC ENGINEERING DESIGN

- Modular system offers more than million variations
  - Blue light hazard less lighting source
  - Min labor cost on installation & maintenance
- 

#4

## HIGH STANDARD QUALITY CONTROL

- TÜV Rheinland authorized laboratory
  - Operations accredited to ISO 9001:2008
  - 50% overseas sales in North America, all products meet all regulatory requirements including Title 24 and other unique standards
  - Over than 20 process on reliability testing for one item
- 

#5

## ODM & OEM AVAILABLE

- 55 Engineers team
  - Over than 50 R&D Patents
  - Strong Supply Chain System
- 

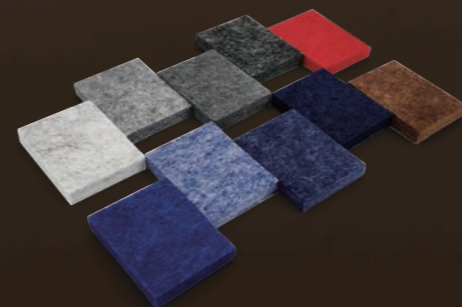
## CONTENT

01	TOP 5 TO CHOOSE OUR LINEAR LIGHT
03	ACOUSTIC LIGHTING
23	GRAZER SERIES
33	SLIM SERIES
4	LUZ SERIES
78	HONG DIRECT & INDIRECT SERIES
87	HILA IP44 / DIRECT & INDIRECT SERIES
90	U516833 PENDANT LINEAR LIGHT
94	EXTERNAL DRIVER -UGR<19
98	EXTERNAL DRIVER RECESSED -UGR<19
101	O30 DOUBLE SIDED RING
103	O20 DIRECT RING
105	O60 360DEGREE
109	O100 DIRECT RING
111	S100 DIRECT SQUARE

**BETTER LIGHTING LESS DISTRACTONS.  
GREATER PRODUCTIVITY.**

**ACOUSTIC LIGHTING**

- High Sound Absorption Performance in NRC = 0.7 panels
- Excellent illumination performance
- Up to CRI>95 & R9>90
- 100% recyclable and odorless material
- Class A Fire retardant
- Various customized design in 4x8ft/ 1.22x2.44m acoustic panels

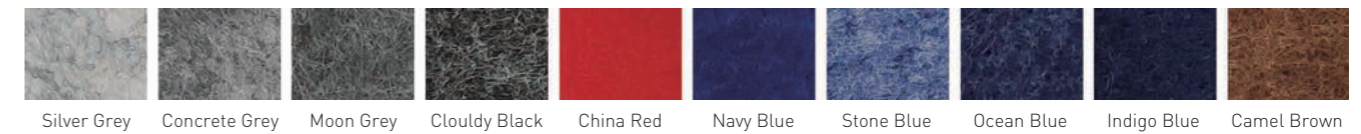


**ORDERING INFORMATION**

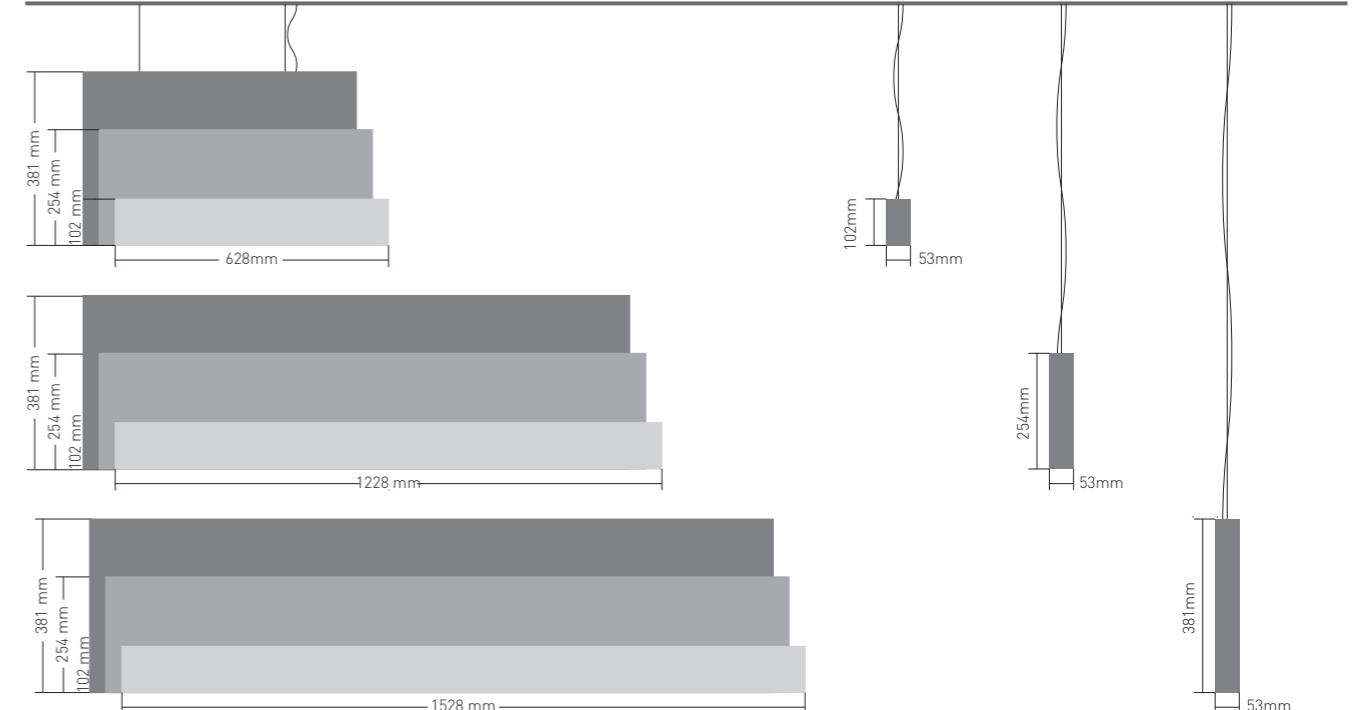
LUMINAIRE	ACOUSTIC COLOR	LENS	LENGTH	COLOR QUALITY <sup>1</sup>	COLOR TEMP <sup>2</sup>	CRI	INSTALL ACCS.	IP GRADE	CONTROL OPTOINS
ACT-S	S- Silver Grey C- Concrete Grey M- Moon Grey CB- Cloudy Black CR- China Red N- Navy Blue SB- Stone Blue O- Ocean Blue I- Indigo Blue CW- Camel Brown	D Diffuser	2- 628mm 4- 1228mm 5- 1528mm	3 3-Step MacAdam Ellipse 5 5-Step MacAdam Ellips	27- 2700K 30- 3000K 35- 3500K 40- 4000K 50- 5000K 60- 6000K 65- 6500K	90 90+ CRI 95 95+ CRI	P Aircraft cable pendant	22 IP22	D1- DALI D2- 0-10V D3- On/off

1. Vivalyte's standard is 3-Step MacAdam  
2. The listed Color Temperature is only available in CRI80+ in Epistar Chips, for 95+, 90+ in Epistar and Sumsung chips, pls. check the list on following page. For more options, pls. check with your executive sales.

**COLOR OPTIONS**



**DIMENSIONS**



SPECIFICATIONS

Voltage	220V-240 VAC / 110-240VAC		
Width / Height	53mm x 102mm	53mm x 254mm	53mm x 381mm
Length	628mm	1228mm	1528mm
Power	11.5 W/pc	23 W/pc	27 W/pc
Efficacy Up to	85lm/w	90lm/w	90lm/w
Control	DALI , 0-10V, on/off		

LED CHIPS AND DRIVER OPTIONS



SPECIFICATIONS

	Color Temperature	Lumen / Length		
RA 90	2700K	710lm / 0.6m	1420lm / 1.2m	1667lm / 1.5m
	3000K	747lm / 0.6m	1495lm / 1.2m	1754lm / 1.5m
	3500K	787lm / 0.6m	1573lm / 1.2m	1847lm / 1.5m
	4000K	828lm / 0.6m	1656lm / 1.2m	1944lm / 1.5m
	5000K	828lm / 0.6m	1656lm / 1.2m	1944lm / 1.5m
	5500K	828lm / 0.6m	1656lm / 1.2m	1944lm / 1.5m
	6500K	828lm / 0.6m	1656lm / 1.2m	1944lm / 1.5m
RA 95	2700K	639lm / 0.6m	1277lm / 1.2m	1500lm / 1.5m
	3000K	673lm / 0.6m	1345lm / 1.2m	1579lm / 1.5m
	3500K	708lm / 0.6m	1416lm / 1.2m	1662lm / 1.5m
	4000K	745lm / 0.6m	1490lm / 1.2m	1749lm / 1.5m
	6500K	745lm / 0.6m	1490lm / 1.2m	1749lm / 1.5m
SAMSUNG RA 80	3000K	841lm / 0.6m	1681lm / 1.2m	1974lm / 1.5m
	4000K	932lm / 0.6m	1863lm / 1.2m	2187lm / 1.5m
	6500K	932lm / 0.6m	1863lm / 1.2m	2187lm / 1.5m

Note:

- The given data are typical values in PC Diffuser. Due to tolerances of the production process and the electrical components, values for light output and electrical power can vary up to 10%.
- 15% less on luminous flux at Traic driver, DALI and 0/1-10V driver, and -10% Non-Dim driver.
- Above data based on Non-Dimmable for all luminaires.
- More customized LED and CCT available.
- LM-80, IES TM-30-15 testing report available for led.



UGR < 16

ORDERING INFORMATION

LUMINAIRE	ACOUSTIC COLOR	LENS	LENGTH	COLOR QUALITY <sup>1</sup>	COLOR TEMP <sup>2</sup>	CRI	INSTALL ACCS.	IP GRADE	CONTROL OPTOINS
ACT- SL	S- Silver Grey	T50R -Round in Square 50° TIR Lens in Square Louver	4- 1228mm  Fixed length only	3 3-Step MacAdam Ellipse	30- 3000K  40- 4000K  50- 5000K  65- 6500K	80 80+ CRI  90 90+CRI	P Aircraft cable pendant	22 IP22	D1- DALI  D2- 0-10V  D3- On/off
	C- Concrete Grey								
	M- Moon Grey								
	CB- Cloudy Black	T50D -Round in Diamond 50° TIR Lens in Diamond Louver							
	CR- China Red								
	N- Navy Blue								
	SB- Stone Blue	T3575 -35° x 75° TIR Lens in Rectangle Louver							
	O- Ocean Blue								
	I- Indigo Blue								
	CW- Camel Brown	T5050 -50° x 50° TIR Lens in Square Louver							

1. Vivalyte's standard is 3-Step MacAdam  
 2. The listed Color Temperature is only available in CRI80+ in Nichia Chips. For more options, pls. check with your executive sales.  
 3: Nichia's CRI 90+ option's is not the general inventory, the leading time is around 4weeks for it. Please check with your executive sales in details.

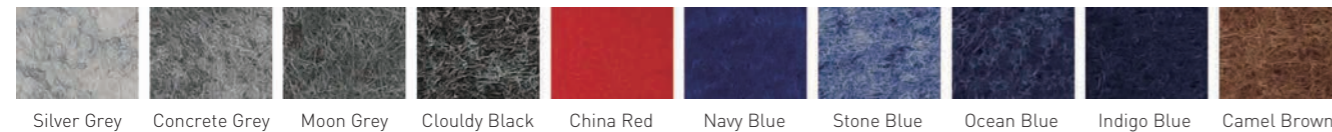
## SPECIFICATIONS

Voltage	220V-240VAC / 100V-240 VAC				
Width / Height	53mm x 102mm	53mm x 254mm	53mm x 381mm		
Length	Fixed in 1228mm				
Power (W/m /ft)	21 W/pc				
Efficacy Up to	90lm/W (RA 80+)	80lm/W (RA 90+)			
Control	Dali , 0-10V, on/off				
NICHIA RA 90	Color Temperature	3000K	4000K	5000K	6500K
	Lumen / Length	1516lm / 1.2m	1680lm / 1.2m	1680lm / 1.2m	1680lm / 1.2m

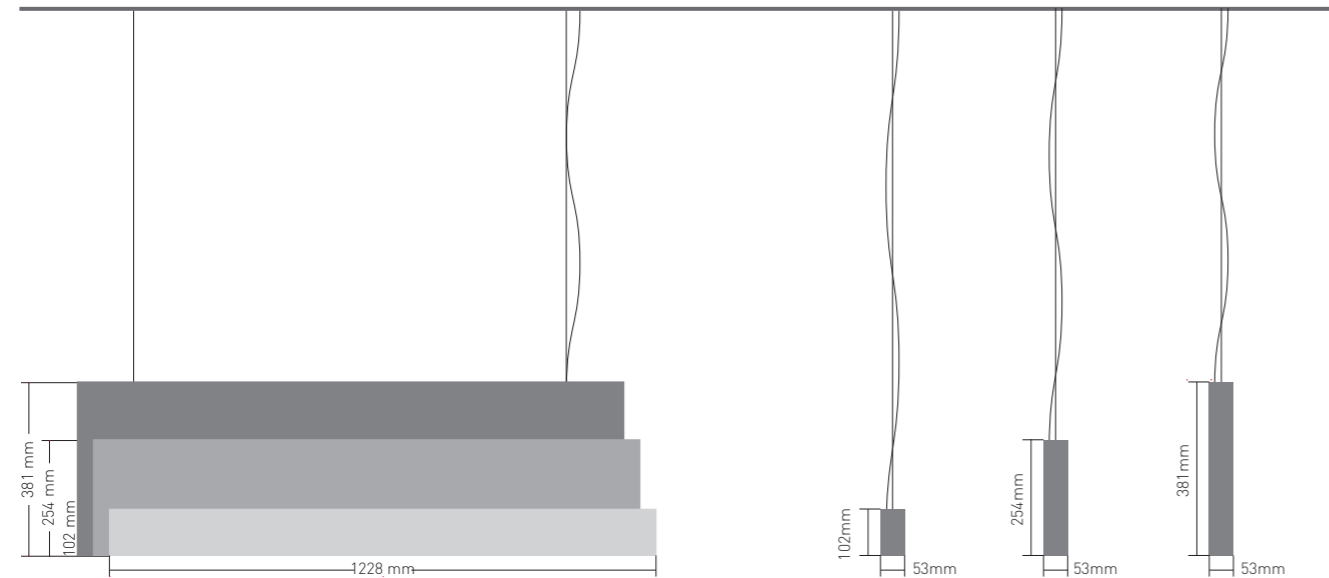
**Note:**

- The given data are typical values in PC Diffuser. Due to tolerances of the production process and the electrical components, values for light output and electrical power can vary up to 10%.
- 15% less on luminous flux at Traic driver, DALI and 0/1-10V driver, and -10% Non-Dim driver.
- Above data based on Non-Dimmable for all luminaires.
- More customized LED and CCT available.
- LM-80, IES TM-30-15 testing report available for led.

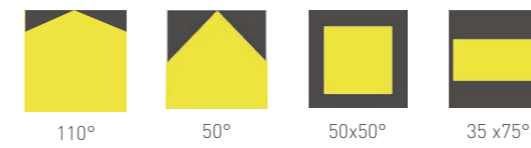
## COLOR OPTIONS



## DIMENSIONS



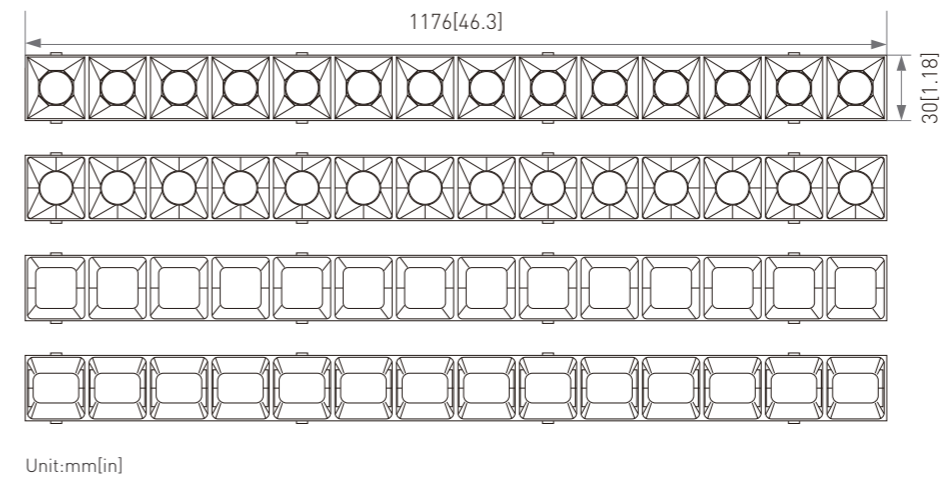
## BEAM ANGLE



## LED CHIPS AND DRIVER OPTIONS



## DIMENSIONS OF OPTICE



Unit:mm[in]



UGR  
<19

ORDERING INFORMATION

LUMINAIRE	ACOUSTIC COLOR	LENS	LENGTH	COLOR QUALITY <sup>1</sup>	COLOR TEMP <sup>2</sup>	CRI	INSTALL ACCS.	IP GRADE	CONTROL OPTIOINS
ACT-L	S- Silver Grey	U- UGR<19 Kit	2- 628mm	3	27- 2700K	90	P Aircraft cable pendant	22 IP22	D1- DALI
	C- Concrete Grey		4- 1228mm	3-Step MacAdam Ellipse	30- 3000K	90+ CRI			
	M- Moon Grey	D- Diffuser	5- 1528mm	5	35- 3500K	95			
	CB- Cloudy Black		5-Step MacAdam Ellips	40- 4000K	95+ CRI				
	CR- China Red			50- 5000K					
	N- Navy Blue			60- 6000K					
	SB- Stone Blue			65- 6500K					
	O- Ocean Blue								
	I- Indigo Blue								
	CW- Camel Brown								

1. Vivalyte's standard is 3-Step MacAdam  
 2. The listed Color Temperature is only available in CR180+ in Epistar Chips, for 95+, 90+ in Epistar and Sumsung chips, pls. check the list on following page. For more options, pls. check with your executive sales.

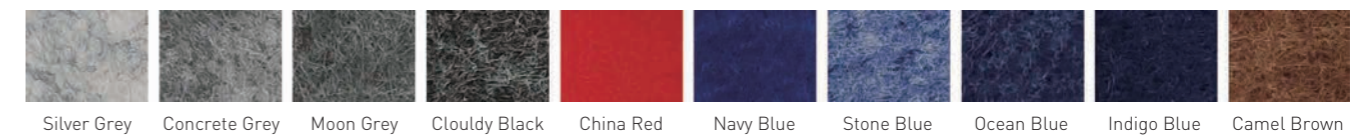
SPECIFICATIONS

Voltage	220V-240VAC / 100V-240 VAC		
Width / Height	68mm x 102mm	68mm x 254mm	68mm x 381mm
Length	628mm	1228mm	1528mm
Power (W/m /ft)	15.6 W/pc	31.1 W/pc	37.8 W/pc
Efficacy Up to	85lm/w	90lm/w	90lm/w
Control	Dali , 0-10V, on/off		

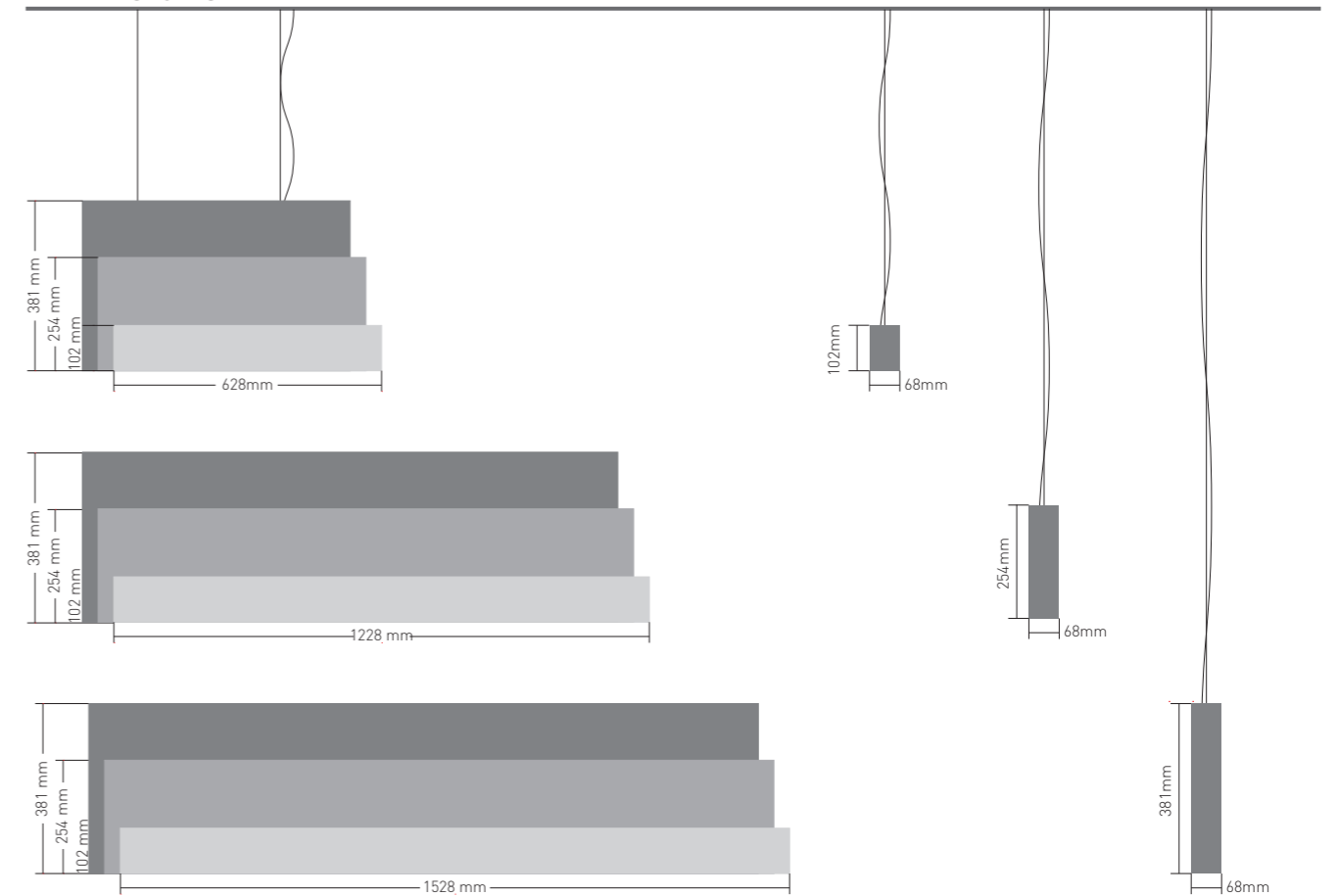
LED CHIPS AND DRIVER OPTIONS



COLOR OPTIONS



DIMENSIONS

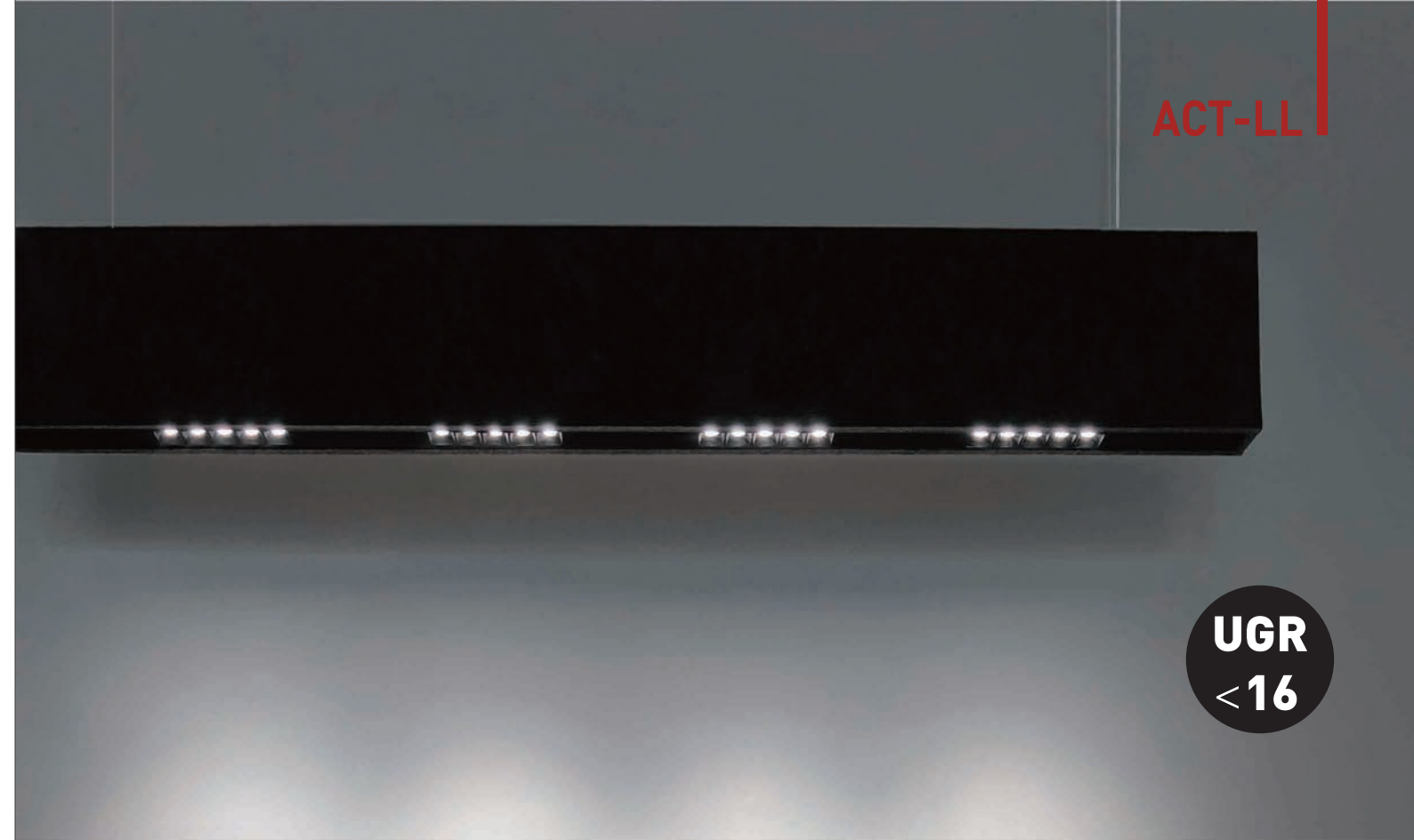


SPECIFICATIONS

	Color Temperature		Lumen / Length	
RA 90	2700K	963lm / 0.6m	1920lm / 1.2m	2333lm / 1.5m
	3000K	1014lm / 0.6m	2021lm / 1.2m	2456lm / 1.5m
	3500K	1067lm / 0.6m	2127lm / 1.2m	2586lm / 1.5m
	4000K	1123lm / 0.6m	2239lm / 1.2m	2722lm / 1.5m
	5000K	1123lm / 0.6m	2239lm / 1.2m	2722lm / 1.5m
	5500K	1123lm / 0.6m	2239lm / 1.2m	2722lm / 1.5m
	6500K	1123lm / 0.6m	2239lm / 1.2m	2722lm / 1.5m
RA 95	2700K	867lm / 0.6m	1728lm / 1.2m	2100lm / 1.5m
	3000K	912lm / 0.6m	1819lm / 1.2m	2211lm / 1.5m
	3500K	960lm / 0.6m	1915lm / 1.2m	2327lm / 1.5m
	4000K	1010lm / 0.6m	2015lm / 1.2m	2449lm / 1.5m
	6500K	1010lm / 0.6m	2015lm / 1.2m	2449lm / 1.5m
SAMSUNG RA 80	3000K	1200lm / 0.6m	2393lm / 1.2m	2909lm / 1.5m
	4000K	1263lm / 0.6m	2519lm / 1.2m	3061lm / 1.5m
	6500K	1263lm / 0.6m	2519lm / 1.2m	3061lm / 1.5m

Note:

- The given data are typical values in PC Diffuser. Due to tolerances of the production process and the electrical components, values for light output and electrical power can vary up to 10%.
- 15% less on luminous flux at Traic driver, DALI and 0/1-10V driver, and -10% Non-Dim driver.
- 10% less on UGR<19 version.
- Above data based on Non-Dimmable for all luminaires.
- More customized LED and CCT available.
- LM-80, IES TM-30-15 testing report available for led.



UGR  
<16

ORDERING INFORMATION

LUMINAIRE	ACOUSTIC CLILOR	LENS	LENGTH	COLOR QUALITY <sup>1</sup>	COLOR TEMP <sup>2</sup>	CRI	INSTALL ACCS.	IP GRADE	CONTROL OPTOINS
ACT-LL	S -Silver Grey	15 -15Deg. Reflector Louver	2- 628mm	3 3-Step MacAdam Ellipse	30- 3000K	80 80+ CRI  90 90+CRI	P Aircraft cable pendant	22 IP22	D1- DALI D2- 0-10V D3- On/off
	C -Concrete Grey				40- 4000K				
	M-Moon Grey				50- 5000K				
	CB -Cloudy Black	30 -30Deg. Reflector Louver	5- 1528mm		65- 6500K				
	CR-China Red								
	N - Navy Blue								
	SB - Stone Blue	45 -45Deg. Reflector Louver							
	O - Ocean Blue								
	I - Indigo Blue								
	CW - Camel Brown								

1. Vivalyte's standard is 3-Step MacAdam
2. The listed Color Temperature is only available in CRI80+ in Nichia Chips. For more options, pls. check with your executive sales.
3. Nichia's CRI 90+ option's is not the general inventory, the leading time is around 4weeks for it. Please check with your executive sales in details.

COLOR OPTIONS



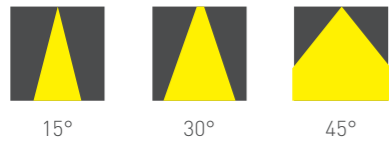
SPECIFICATIONS

Voltage	220V-240VAC / 100V-240 VAC				
Width / Height	68mm x 102mm	68mm x 254mm	68mm x 381mm		
Length	628mm	1228mm	1528mm		
Power	11 W/pc (2sets module)	23W/pc (4sets module)	27.5W/pc (5sets module)		
Efficacy Up to	90lm/W (RA 80+)	75lm/W (RA 90+)			
Control	Dali , 0-10V, on/off				
NICHIA RA 90	Color Temperature	3000K	4000K	5000K	6500K
	Lumen / Length	758lm / 0.6m	840lm / 0.6m	840lm / 0.6m	840lm / 0.6m
	Lumen / Length	1516lm / 1.2m	1680lm / 1.2m	1680lm / 1.2m	1680lm / 1.2m
	Lumen / Length	1895lm / 1.5m	2100lm / 1.5m	2100lm / 1.5m	2100lm / 1.5m

Note:

- The given data are typical values in 4sets 30Deg. Reflector Louver kit. Due to tolerances of the production process and the electrical components, values for light output and electrical power can vary up to 10%.
- 15% less on luminous flux at Traic driver, DALI and 0/1-10V driver, and -10% Non-Dim driver.
- Above data based on Non-Dimmable for all luminaires.

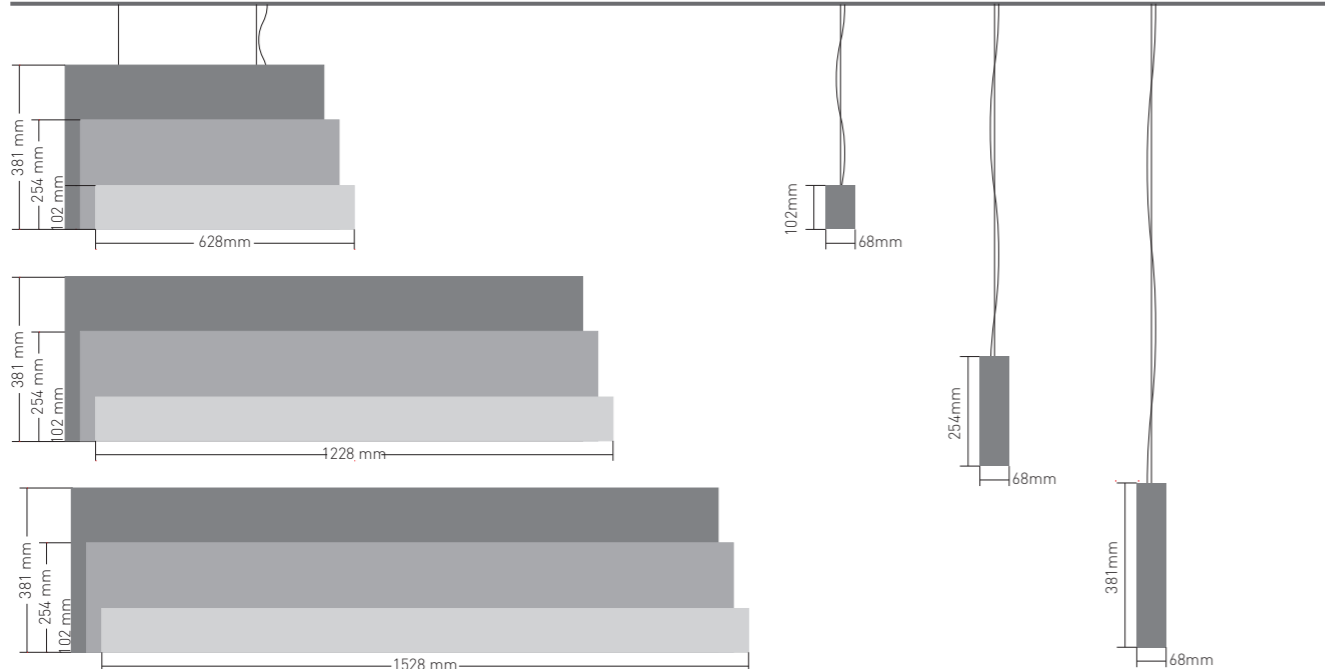
BEAM ANGLE



LED CHIPS AND DRIVER OPTIONS



DIMENSIONS



ASYMMETRIC OPTICAL LENS



ORDERING INFORMATION

LUMINAIRE	ACOUSTIC COLOR	LENS	LENGTH	COLOR QUALITY <sup>1</sup>	COLOR TEMP <sup>2</sup>	CRI	INSTALL ACCS.	IP GRADE	CONTROL OPTOINS
ACT-LW	S -Silver Grey	60 -60Deg. PMMA Lens	4- 1220mm  Fixed length	3 3-Step MacAdam Ellipse	30- 3000K	80 80+CRI	P Aircraft cable pendant	22 IP22	D1- DALI D2- 0-10V D3- On/off
	C -Concrete Grey				40- 4000K				
	M-Moon Grey	90 -90Deg. PMMA Lens	50- 5000K		90 90+ CRI				
	CB -Cloudy Black		65- 6500K						
	CR-China Red	BA -Batwing PMMA Lens							
	N - Navy Blue								
	SB - Stone Blue								
	O - Ocean Blue	AS- Asymmetric PMMA Lens							
	I - Indigo Blue								
	CW - Camel Brown								

1. Vivalyte's standard is 3-Step MacAdam
2. The listed Color Temperature is only available in CRI80+ in Nichia Chips. For more options, pls. check with your executive sales.
3. Nichia's CRI 90+ option's is not the general inventory, the leading time is around 4weeks for it. Please check with your executive sales in details.



SPECIFICATIONS

Voltage	220V-240VAC / 100V-240 VAC		
Width / Height	68mm x 102mm	68mm x 254mm	68mm x 381mm
Length	1220mm		
Power (W/m /ft)	31.1 W/pc		
Efficacy Up to	90lm/w		
Control	Dali , 0-10V, on/off		

LED CHIPS AND DRIVER OPTIONS



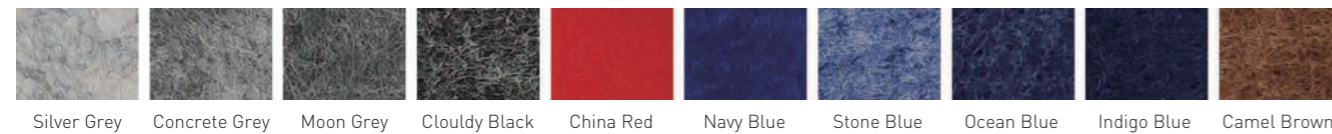
SPECIFICATIONS

	3000K	4000K	5000K	6500K
RA 90	1516lm / 1.2m	1680lm / 1.2m	1680lm / 1.2m	1680lm / 1.2m
RA 95	1516lm / 1.2m	1680lm / 1.2m	1680lm / 1.2m	1680lm / 1.2m
SAMSUNG RA80	1516lm / 1.2m	1680lm / 1.2m	1680lm / 1.2m	1680lm / 1.2m

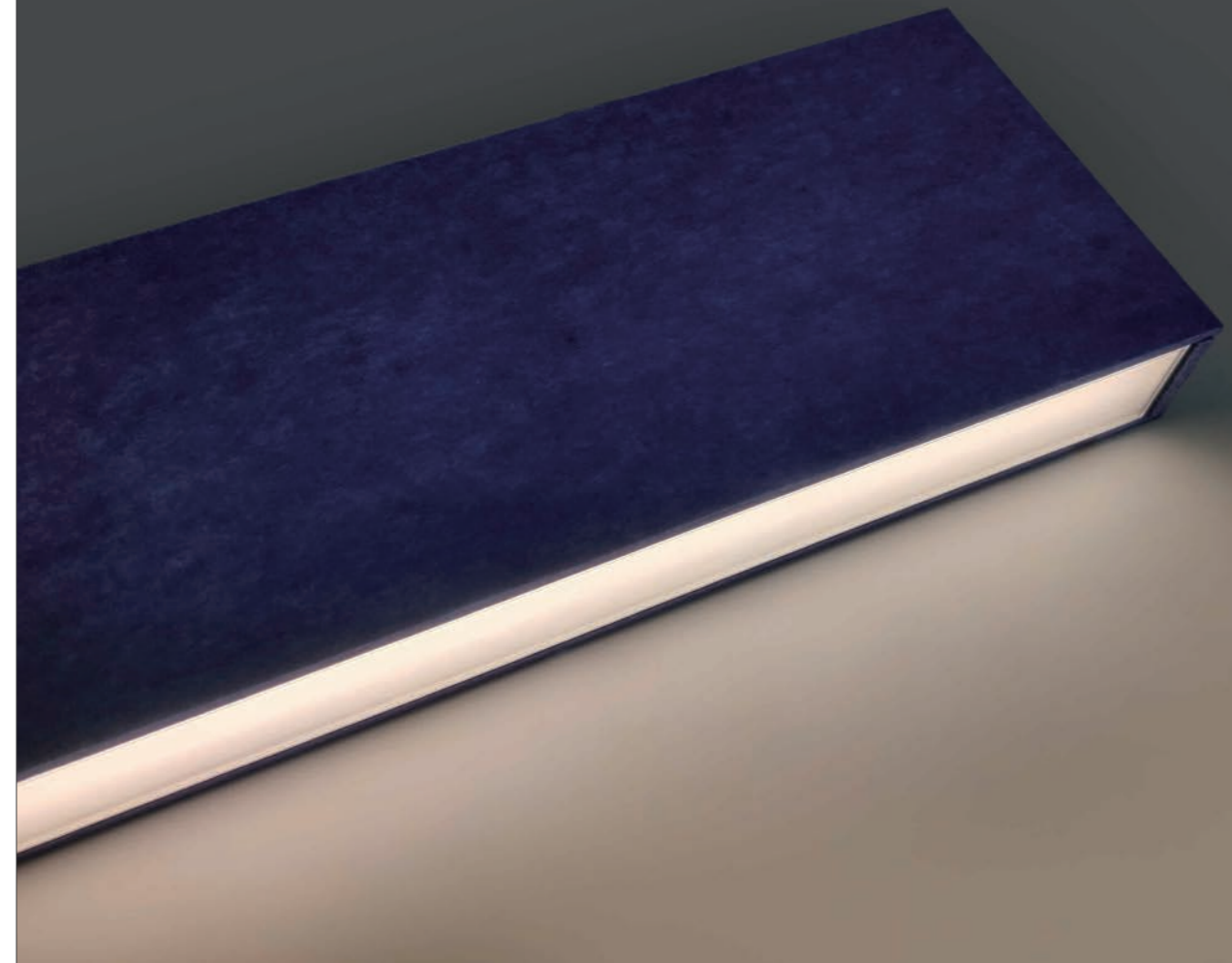
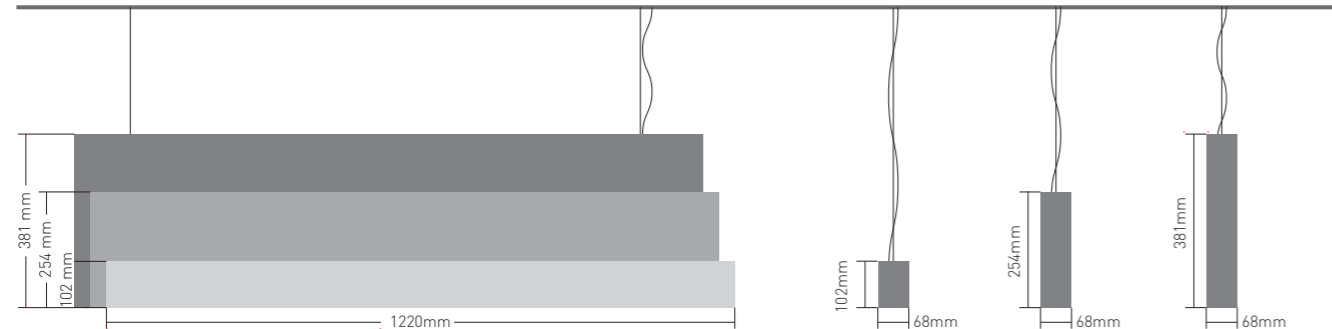
Note:

- The given data are typical values in 4000K CRI80+. Due to tolerances of the production process and the electrical components, values for light output and electrical power can vary up to 10%.
- 15% less on luminous flux at Traic driver, DALI and 0/1-10V driver, and -10% Non-Dim driver.
- Above data based on Non-Dimmable for all luminaires.
- More customized LED and CCT available.

COLOR OPTIONS



DIMENSIONS



UGR <19

ORDERING INFORMATION

LUMINAIRE	ACOUSTIC COLOR	LENS	LENGTH	COLOR QUALITY <sup>1</sup>	COLOR TEMP <sup>2</sup>	CRI	INSTALL ACCS.	IP GRADE	CONTROL OPTOINS
ACT-H	S- Silver Grey	U UGR <19 Kit	2- 628mm	3 3-Step MacAdam Ellipse	27- 2700K	90 90+ CRI	P Aircraft cable pendant	22 IP22	D1- DALI D2- 0-10V D3- On/off
	C- Concrete Grey		4- 1228mm		30- 3000K				
	M- Moon Grey		5- 1528mm		35- 3500K				
	CB- Cloudy Black	D Diffuser	5- 5-Step MacAdam Ellips	40- 4000K	95 95+ CRI				
	CR- China Red			50- 5000K					
	N- Navy Blue			60- 6000K					
	SB- Stone Blue			65- 6500K					
	O- Ocean Blue								
	I- Indigo Blue								
	CW- Camel Brown								

1. Vivalyte's standard is 3-Step MacAdam

2. The listed Color Temperature is only available in CRI80+ in Epistar Chips, for 95+, 90+ in Epistar and Sumsung chips, pls. check the list on following page. For more options, pls. check with your executive sales.

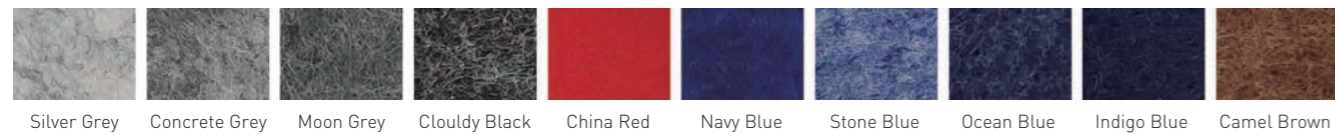
SPECIFICATIONS

Voltage	220V-240 VAC / 110-240VAC		
Width / Height	93mm x 102mm	93mm x 254mm	93mm x 381mm
Length	628mm	1228mm	1528mm
Power (W/m /ft)	28 W/pc	56 W/pc	64 W/pc
Efficacy Up to	85lm/w	90lm/w	90lm/w
Control	Dali , 0-10V, on/off		

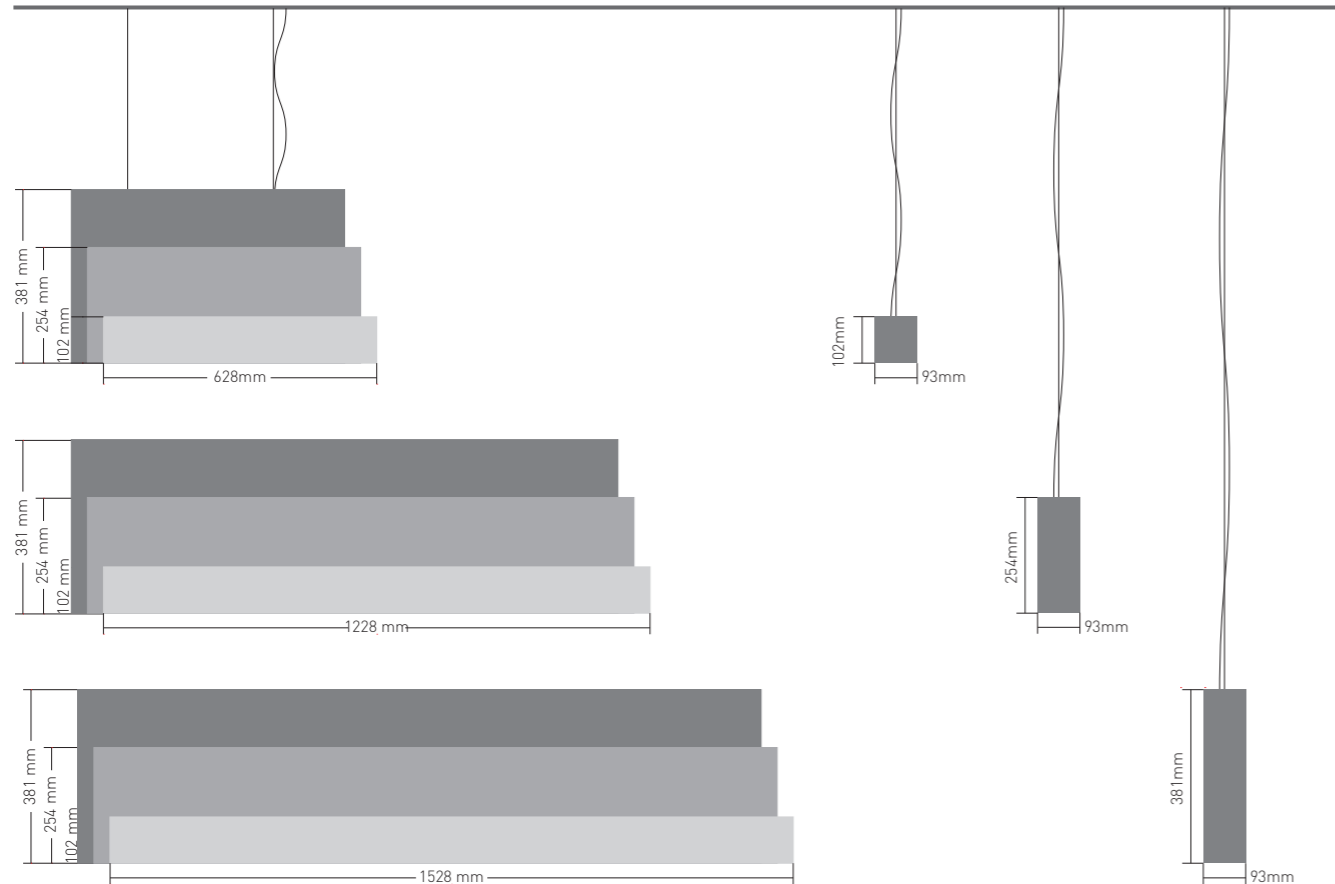
LED CHIPS AND DRIVER OPTIONS



COLOR OPTIONS



DIMENSIONS



SPECIFICATIONS

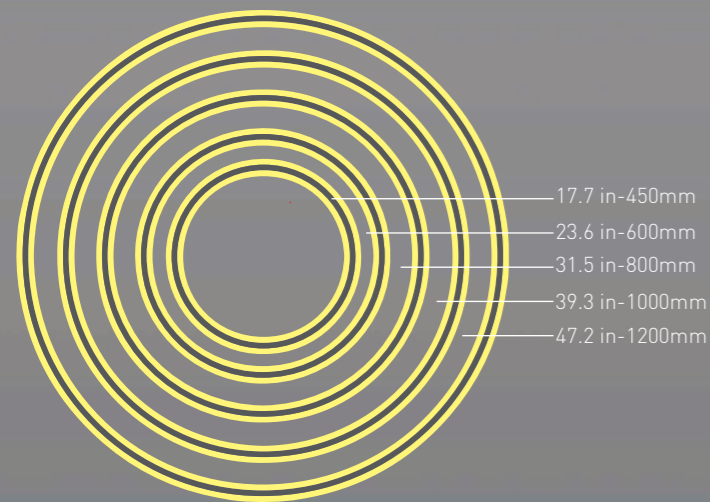
	Color Temperature		Lumen / Length	
RA 90	2700K	1728lm / 0.6m	3457lm / 1.2m	3951lm / 1.5m
	3000K	1819lm / 0.6m	3639lm / 1.2m	4159lm / 1.5m
	3500K	1915lm / 0.6m	3830lm / 1.2m	4378lm / 1.5m
	4000K	2016lm / 0.6m	4032lm / 1.2m	4608lm / 1.5m
	5000K	2016lm / 0.6m	4032lm / 1.2m	4608lm / 1.5m
	6000K	2016lm / 0.6m	4032lm / 1.2m	4608lm / 1.5m
RA 95	2700K	1555lm / 0.6m	3110lm / 1.2m	3556lm / 1.5m
	3000K	1637lm / 0.6m	3274lm / 1.2m	3743lm / 1.5m
	3500K	1723lm / 0.6m	3447lm / 1.2m	3940lm / 1.5m
	4000K	1814lm / 0.6m	3628lm / 1.2m	4147lm / 1.5m
	6500K	1814lm / 0.6m	3628lm / 1.2m	4147lm / 1.5m
SAMSUNG RA 80	3000K	2047lm / 0.6m	4094lm / 1.2m	4679lm / 1.5m
	4000K	2268lm / 0.6m	4536lm / 1.2m	5184lm / 1.5m
	6500K	2268lm / 0.6m	4536lm / 1.2m	5184lm / 1.5m

Note:

- The given data are typical values in PC Diffuser. Due to tolerances of the production process and the electrical components, values for light output and electrical power can vary up to 10%.
- 15% less on luminous flux at Traic driver, DALI and 0/1-10V driver, and -10% Non-Dim driver.
- 10% less on UGR<19 version.
- Above data based on Non-Dimmable for all luminaires.
- More customized LED and CCT available.
- LM-80, IES TM-30-15 testing report available for led.



AVAILABLE SIZE



ORDERING INFORMATION

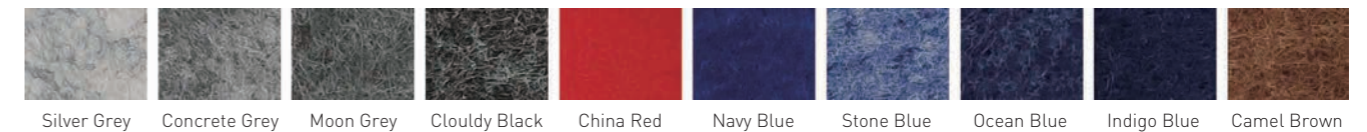
LUMINAIRE	ACOUSTIC COLOR	LENS	DIAMETER	COLOR QUALITY <sup>1</sup>	COLOR TEMP <sup>2</sup>	CRI	INSTALL ACCS.	IP GRADE	CONTROL OPTOINS
ACT-R30	S- Silver Grey C- Concrete Grey M- Moon Grey CB- Cloudy Black CR- China Red N- Navy Blue SB- Stone Blue O- Ocean Blue I- Indigo Blue CW- Camel Brown	S- Silicone	4- Ø450mm 6- Ø600mm 8- Ø800mm 10- Ø1000mm	3 3-Step MacAdam Ellipse	30- 3000K 40- 4000K 60- 6000K TW- Tunable White	80 80+ CRI 90 90+ CRI	P Aircraft cable pendant	22 IP22	D1- DALI D2- 0-10V D3- On/off

SPECIFICATIONS

Voltage	90-265 VAC			
Diameter	Ø450mm	Ø600mm	Ø800mm	Ø1000mm
Power	25W	35W	40W	50W
Efficacy Up to	1530lm	2330lm	2500lm	3423lm
Control	Dali , 0-10V, on/off			

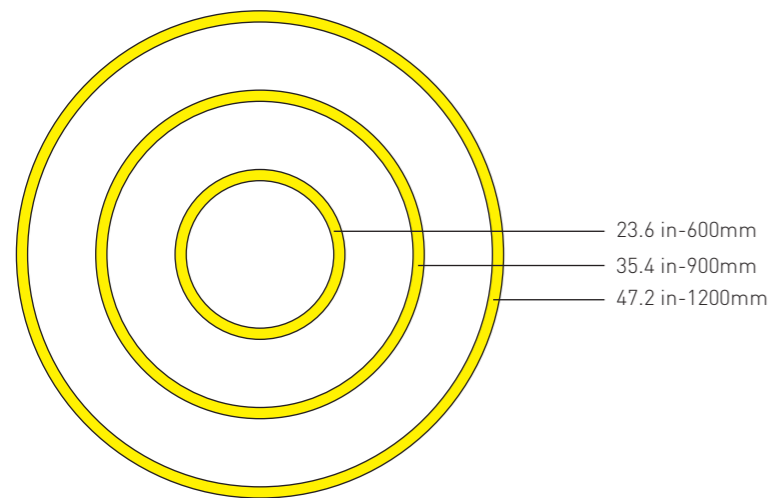
**Note:** The given data are typical values. Due to tolerances of the production process and the electrical components, values for light output and electrical power can vary up to 10%.  
-15% luminous flux at Traic driver, DALI and 0/1-10V driver, and -10% Non-Dim driver.

OPTIONAL COLOR





AVAILABLE SIZE



ORDERING INFORMATION

LUMINAIRE	FINISH	ACOUSTIC COLOR	LENS	DIAMETER	COLOR QUALITY <sup>1</sup>	COLOR TEMP <sup>2</sup>	CRI	INSTALL ACCS.	CONTROL OPTOINS			
ACT-R35	W White	S- Silver Grey	D Diffuser	6 Φ600mm	3 3-Step MacAdam Ellipse	27- 2700K	80 80+ CRI	P Aircraft cable pendant	D1- DALI D2- 0-10V D3- On/off			
		C- Concrete Grey										
	B Black	M- Moon Grey		9 Φ900mm						5 5-Step MacAdam Ellips	30- 3000K	90 90+ CRI
		CB- Cloudy Black										
	S Silver	CR- China Red		12 Φ1200mm						50- 5000K	60- 6000K	95 95+ CRI
		N- Navy Blue										
		SB- Stone Blue										
		O- Ocean Blue										
		I- Indigo Blue										
		CW- Camel Brown										

1. Vivalyte's standard is 3-Step MacAdam  
 2. The listed Color Temperature is only available in CRI80+ in Epistar Chips, for 95+, 90+ in Epistar and Sumsung chips, pls. check the list on following page. For more options, pls. check with your executive sales.

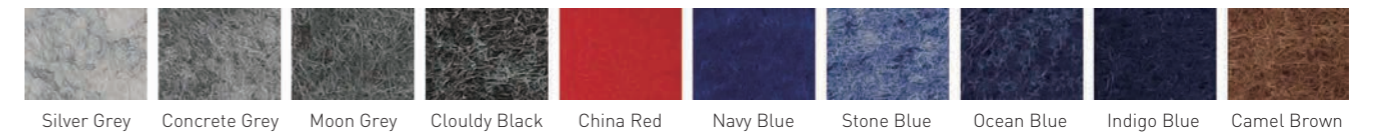
SPECIFICATION

Voltage	220V-240VAC / 100V-240 VAC		
Width / Diameter	35 × 30mm		
Diameter	Φ600mm	Φ900mm	Φ1200mm
Power	25W/pc	34 W/pc	70 W/pc
Efficacy Up to	80lm/w	80lm/w	80lm/w
Control	Dali , 0-10V, on/off		

LED CHIPS AND DRIVER OPTIONS



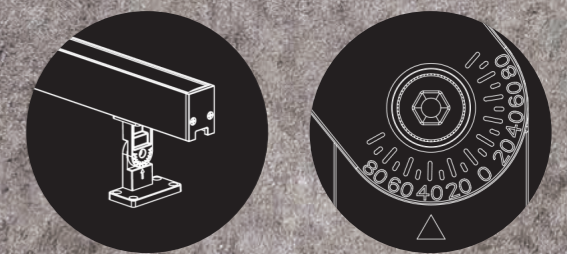
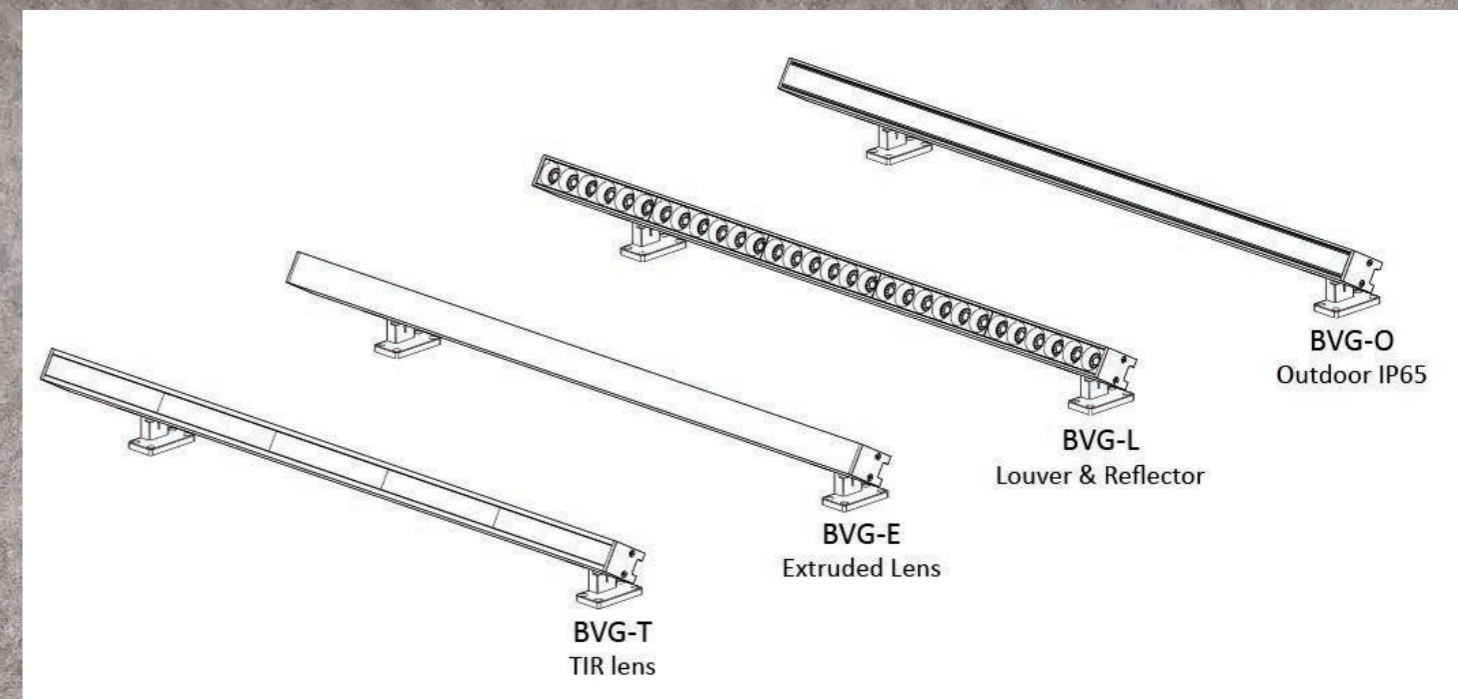
OPTIONAL COLOR



# GRAZER SEREIS

BVG INTERIOR & OUTDOOR GRAZER LINEAR LIGHT

- ▶ Vivalyte's BVG Grazer Linear Lighting has Interior Grazer TIR lens type / BVG-T, Interior Extruded lens type / BVG-E, Interior Louver type / BVG-L & outdoor IP65 type / BVG-O.
- ▶ BVG-T and BVG-O are both engineering design with 12 optical lens options, it provides a narrow optic and clean light beam to highlight wall textures without shadow and hotspot. Featuring injected high-efficiency acrylic precision TIR lens, BVG delivers high-performance light evenly to graze the wall continuously in DC24V.
- ▶ BVG-T's optics provide from narrow 9° to flood 39°x59° that enhance the wall textures from ceiling to floor.
- ▶ BVG can be installed by ceiling mounted bracket or Swivel bracket to satisfy different applications.



# GRAZER SERIES

BVG-L LOUVER OPICAL INTERIOR GRAZER LINEAR LIGHT

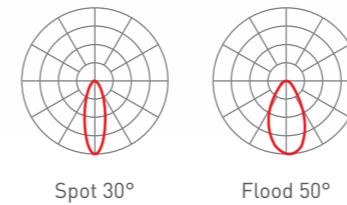


# GRAZER SERIES

BVG-L LOUVER OPICAL INTERIOR GRAZER LINEAR LIGHT



## LIGHTING DISTRIBUTION



Spot 30°

Flood 50°

## ORDERING INFORMATION

LUMINAIRE	FINISH	BEAM ANGLE	POWER	COLOR QUALITY	COLOR TEMP	CRI	LENGTH (mm)	IP GRADE	DIMMING <sup>1</sup> OPTOINS
BVG-L	W White	30 - Spot 30°	15 -15W/m	3 3-Step MacAdam Ellipse	27 - 2700K	80 80+ CRI	12 -1207mm	22 -IP22	D1- On/off
					30 - 3000K				
	B Black	50 - Flood 50°		35 - 3500K	90 90+ CRI	XX -Custom length 120mm increments.			
				40 - 4000K					
	S Silver			50 - 5000K	95 95+ CRI	60 - 6000K			
				65 - 6500K					

## SPECIFICATION

Luminaire	BVG-L
Input Voltage	24VDC
Power	15W/m
Lumen Efficacy Up to	1425lm/m [95lm/W]
CRI	80+,90+,95+
Finish	White / Black - Matt powder coated Silver - Anodized
Width / Height	W25 x H35mm
Weight	1.20kgs/m
Max Run	2.5m [8ft]
IP Grade	IP22
Control	On/off
Installation	Surface Mounted, Pendant / Swivel Brackets

## INSTALL ACCESSORIES



Adjustable Swivel Mounting Bracket

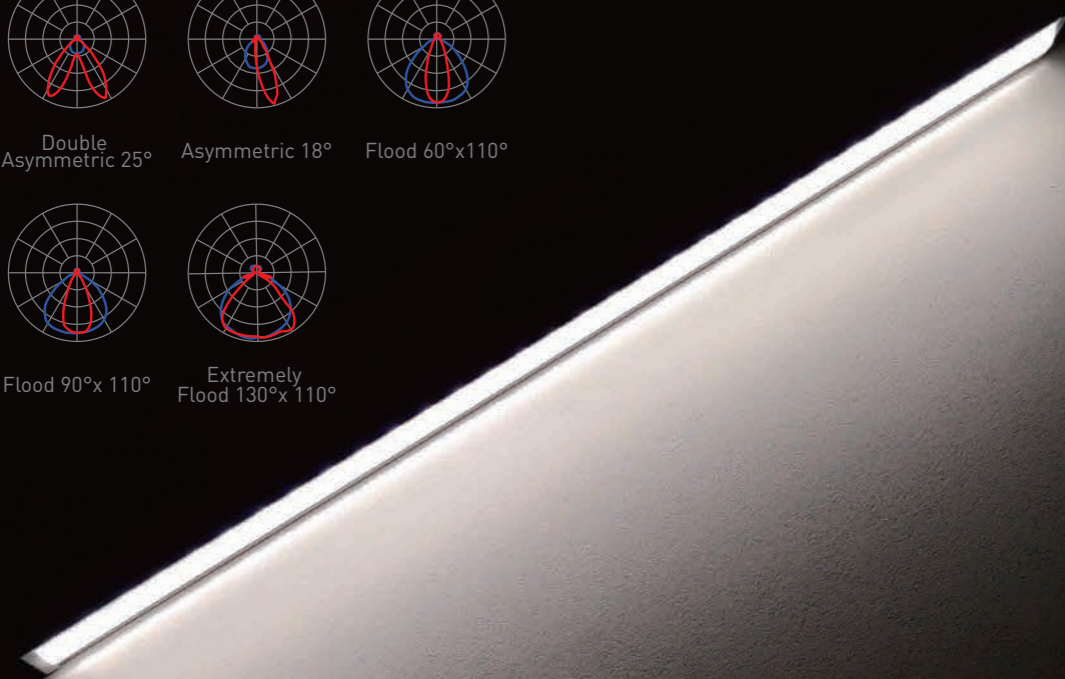
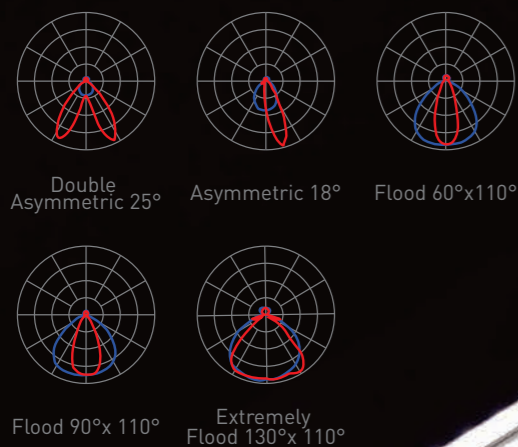


Surface Mounted Bracket

# GRAZER SERIES

BVG-E EXTRUDED LENS INTERIOR GRAZER LINEAR LIGHT

## LIGHTING DISTRIBUTION



## ORDERING INFORMATION

LUMINAIRE	FINISH	BEAM ANGLE	POWER	COLOR QUALITY	COLOR TEMP	CRI	LENGTH (mm)	IP GRADE	DIMMING OPTOINS
BVG-E	W White	AS25 - Double Asymmetric 25°	14 -14.4W/m [Various LED tape light source optional]	3 3-Step MacAdam Ellipse	27 - 2700K	80 80+ CRI	12 -1207mm	22-IP22	D1- On/Off
	B Black	AS18 - Asymmetric 18°		5 5-Step MacAdam Ellips	30 - 3000K	90 90+ CRI	XX -Custom length 100mm increments.		
	S Silver	6011 -Flood 60x110°		40 - 4000K	95 95+ CRI	50 - 5000K			
	9011 -Flood 90x110°	60 - 6000K							
	1311 -Extremely flood 130x110°	65 - 6500K							

# GRAZER SERIES

BVG-E EXTRUDED LENS INTERIOR GRAZER LINEAR LIGHT



## SPECIFICATION

Luminaire	BVG-E
Input Voltage	24VDC
Power	14.4W/m [various LED tape light source optional]
Lumen Efficacy Up to	1650l;m/m [110lm/W]
CRI	80+,90+,95+
Finish	White / Black - Matt powder coated Silver - Anodized
Width / Height	W25 x H35mm
Weight	1.22kgs/m
Length	Custom length 100mm increments.
Max Run	5m [16.5ft]
IP Grade	IP22
Control	On/off
Installation	Surface Mounted, Pendant / Swivel Brackets

## INSTALL ACCESSORIES



Adjustable Swivel Mounting Bracket



Surface Mounted Bracket

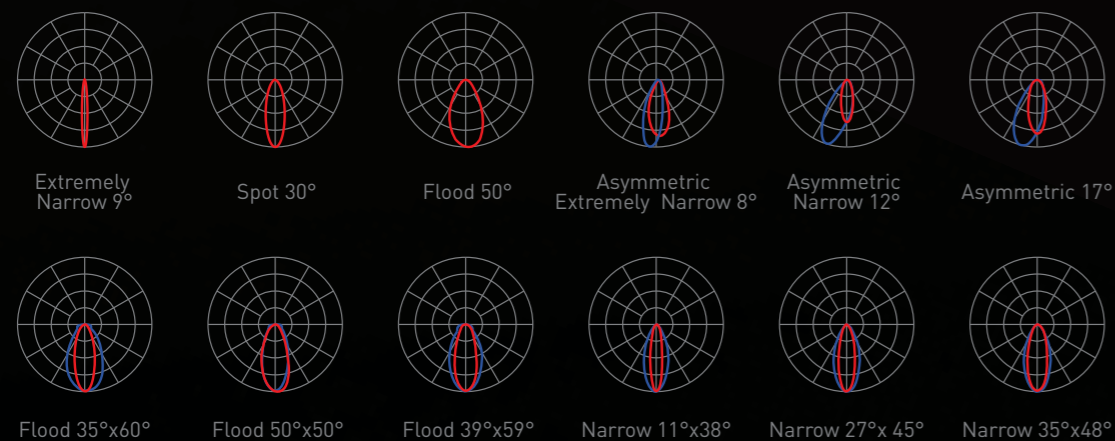
# GRAZER SERIES

BVG-0 IP65 OUTDOOR GRAZER LINEAR LIGHT

# GRAZER SERIES

BVG-0 IP65 OUTDOOR GRAZER LINEAR LIGHT

## LIGHTING DISTRIBUTION



## ORDERING INFORMATION

LUMINAIRE	FINISH	BEAM ANGLE	POWER	COLOR QUALITY	COLOR TEMP	CRI	LENGTH (mm)	IP GRADE	DIMMING OPTOINS
BVG-0	W White	09-9° Extremely Narrow	18.75W/m	3 3-Step MacAdam Ellipse	27 - 2700K	80 80+ CRI	12 - 1207mm	22-IP65	D1- On/Off
		30-30° Spot			30 - 3000K		XX - Custom length 120mm increments		
	B Black	50-50° Flood			40 - 4000K				
	S Silver	AS08-8° Asymmetric		5 5-Step MacAdam Ellips	50 - 5000K				
		AS12-17° Asymmetric							
		AS17-17° Asymmetric							
		3560- 35° x 60° Flood							
		5050- 50° x 50° Flood							
		3959- 39° x 59° Flood							
		1138- 11° x 38° Narrow							
		2745- 27° x 45° Narrow							
		0548- 5° x 48° Narrow							

## SPECIFICATION

Luminaire	BVG-0
Input Voltage	24VDC
Power	18.75W/m
Lumen Efficacy Up to	1780lm/m [95lm/W]
CRI	80+,90+,95+
Finish	White / Black - Matt powder coated Silver - Anodized
Width / Height	W30 x H36mm
Weight	1.9kgs/m
Length	1207mm (Custom length 120mm increments + 0.7mm endcaps.
Max Run	2.5m [8ft]
IP Grade	IP65
Control	On/off
Installation	Surface Mounted, Pendant / Swivel Brackets

## INSTALL ACCESSORIES



Adjustable Swivel Mounting Bracket



Surface Mounted Bracket



# GRAZER SERIES

BVG-T TIR OPTICAL INTERIOR GRAZER LINEAR LIGHT

## LIGHTING DISTRIBUTION

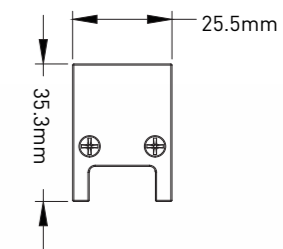


## ORDERING INFORMATION

LUMINAIRE	FINISH	BEAM ANGLE	POWER	COLOR QUALITY	COLOR TEMP	CRI	LENGTH (mm)	IP GRADE	DIMMING <sup>1</sup> OPTOINS
BVG-T	W White	09-9° Extremely Narrow	18 -18.75W/m	3 3-Step MacAdam Ellipse	27 - 2700K	80 80+ CRI	12 -1207mm	22-IP22	D1- On/Off
		30-30° Spot			30 - 3000K		XX -Custom length 120mm increments		
	B Black	50-50° Flood			5 5-Step MacAdam Ellips		40 - 4000K		
	S Silver	AS08-8° Asymmetric		50 - 5000K	AS12-17° Asymmetric	AS17-17° Asymmetric			
		3560- 35° x 60° Flood							
		5050 - 50° x 50° Flood							
		3959 - 39° x 59° Flood							
		1138 -11° x 38° Narrow							
	2745 -27° x 45° Narrow								
	0548 - 5° x 48° Narrow								

# GRAZER SERIES

BVG-T TIR OPTICAL INTERIOR GRAZER LINEAR LIGHT



## SPECIFICATION

Luminaire	BVG-T
Input Voltage	24VDC
Power	18.75W/m
Lumen Efficacy Up to	2100lm/m [112lm/W]
CRI	80+,90+,95+
Finish	White / Black - Matt powder coated Silver - Anodized
Width / Height	W25 x H35mm
Weight	1.25kgs/m
Length	1207mm. Custom length 120mm increments.
Max Run	2.5m [8ft]
IP Grade	IP22
Control	On/off
Installation	Surface Mounted, Pendant / Swivel Brackets

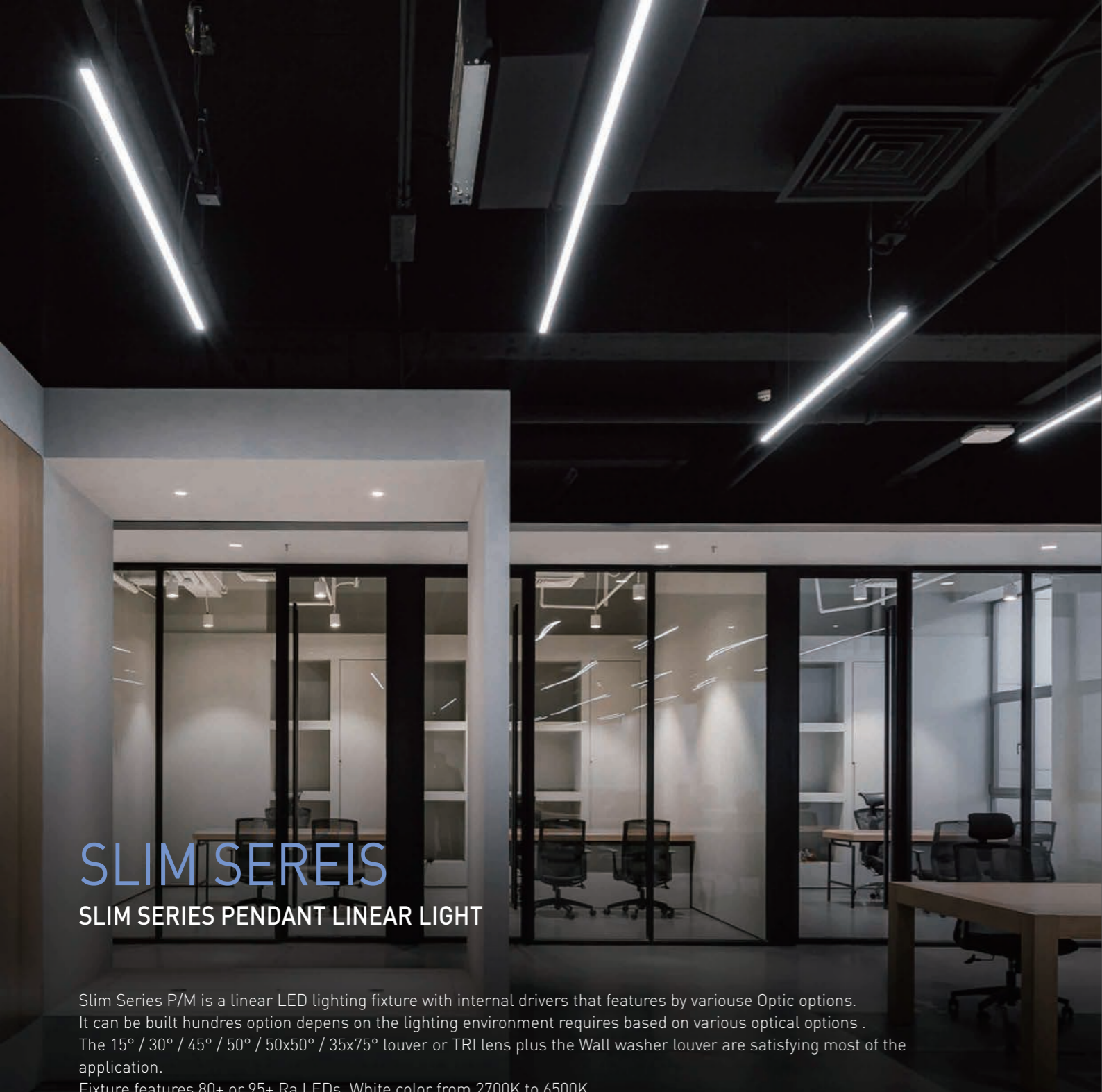
## INSTALL ACCESSORIES



Adjustable Swivel Mounting Bracket



Surface Mounted Bracket



# SLIM SERIES

## SLIM SERIES PENDANT LINEAR LIGHT

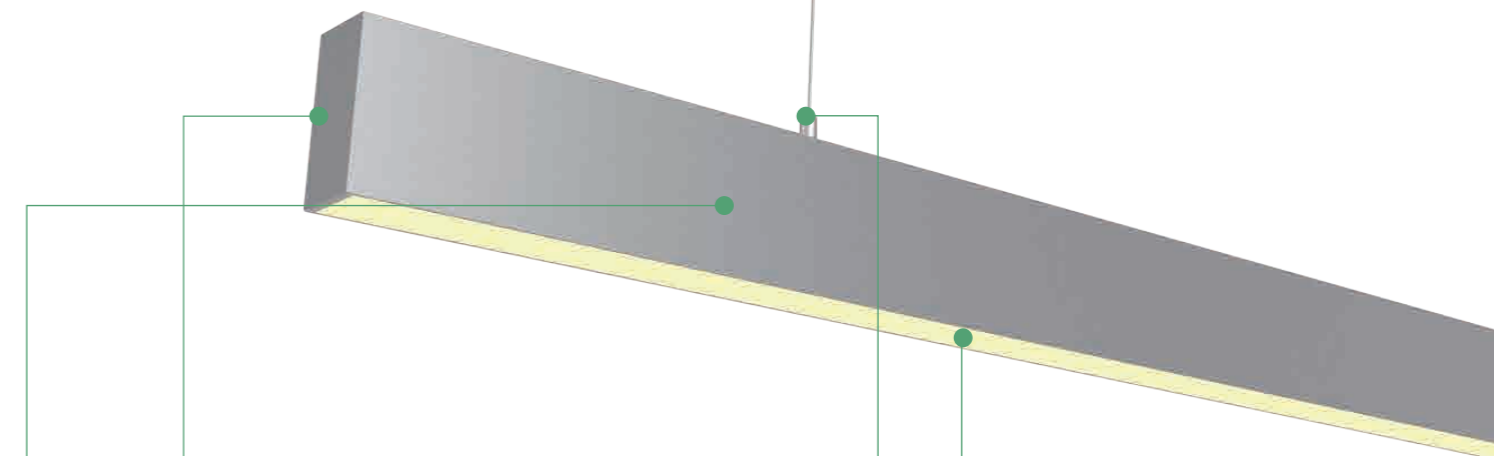
Slim Series P/M is a linear LED lighting fixture with internal drivers that features by various Optic options. It can be built hundreds of options depending on the lighting environment requires based on various optical options. The 15° / 30° / 45° / 50° / 50x50° / 35x75° louver or TRI lens plus the Wall washer louver are satisfying most of the application. Fixture features 80+ or 95+ Ra LEDs. White color from 2700K to 6500K. Dimmable driver available in Dali, 0/1-10V type, also controllable options in DMX, PWM and 2.4G Static, Tunable white, RGBW solution available. The fixture is designed in multiple installation in Sus-pendant, Ceiling Mounted. Fixture lengths are available in 2ft, 4ft, 5ft and 8ft, and custom lengths are available in 19.6ft.

**Finish**  
 Aluminum clear matt anodized  
 White / Black powder coating  
 Customized RAL color available

**Applications**  
 Indoor - Office, Educational Institutions, Conference Rooms and many other workspaces.

# SLIM SERIES

## SURFACE PC DIFFUSER LINEAR LIGHT



**Die-casting Endcaps**  
 Anti-light leaking design



**6063 Aluminum**  
 Silver / Black clear matt anodize  
 White/Black matt powder coating  
 Customized RAL color available

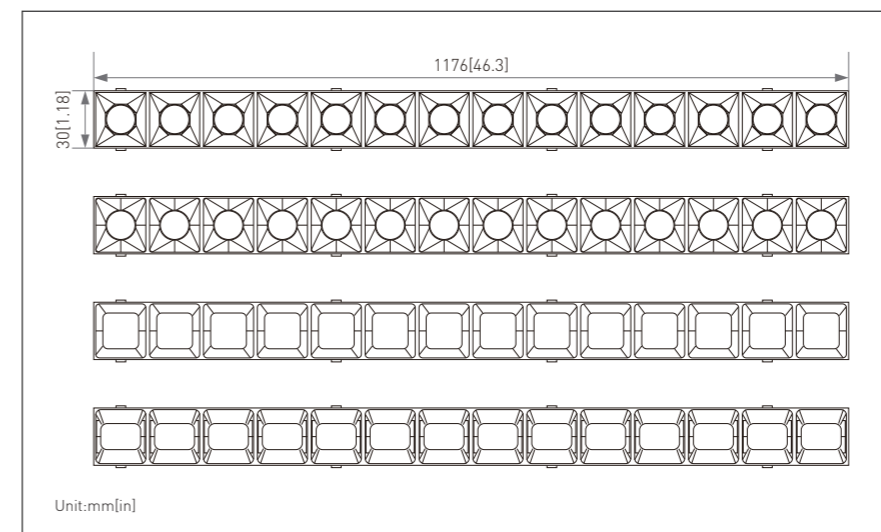


**Sensor Optional**  
 Microwave Sensor  
 IR Sensor  
 Timer



**Multiple Installation**

- Sus-pendant
- Ceiling Mounted



**Various Optical Options**

- TRI Lens in 50°, 50x50°, 35x75°
- Square, Round, Diamond Reflector
- 5in1 Reflector in 15°, 30°, 45°
- Wall Washer
- PC Diffuser

## ORDERING INFORMATION

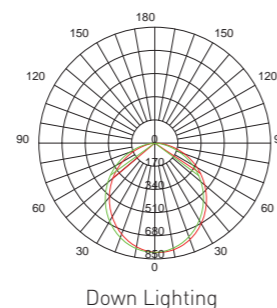
LUMINAIRE	FINISH	LENS	LENGTH	COLOR QUALITY <sup>1</sup>	COLOR TEMP <sup>2</sup>	CRI	INSTALL ACCS.	IP GRADE	CONTROL OPTOINS
U357228	W White	D Diffuser	2 - 608mm	3 3-Step MacAdam Ellipse	27 - 2700K	80 80+ CRI	P Aircraft cable pendant	22 IP22	D1 - DALI D2 - 0-10V D3 - On/off
			4 - 1208mm		30 - 3000K				
	5 - 1508mm		35 - 3500K						
	B Black		5 5-Step MacAdam Ellips	40 - 4000K	90 90+ CRI				
				50 - 5000K		95 95+ CRI			
	S Silver			60 - 6000K					
			65 - 6500K						

1. Vivalyte's standard is 3-Step MacAdam

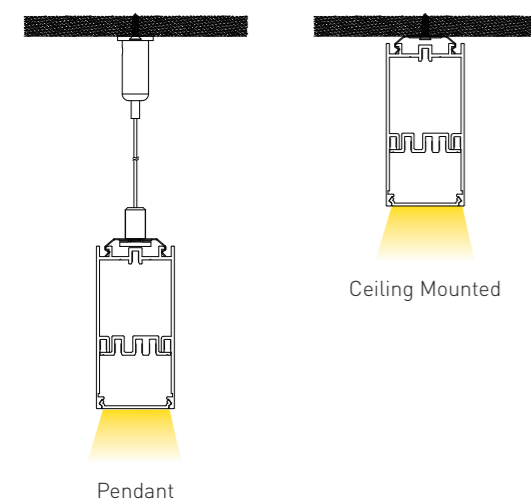
2. The listed Color Temperature is only available in CRI80+ in Epistar Chips, for 95+, 90+ in Epistar and Sumsung chips, pls. check the list on following page. For more options, pls. check with your executive sales.

## SPECIFICATIONS

Voltage	220V-240 VAC / 110-240VAC			
Width / Height	W35mm x H73mm			
Length	608mm	1208mm	1508mm	2408mm
Power (W/m /ft)	11.5 W/pc	23 W/pc	27 W/pc	46.5 W/pc
Efficacy Up to	85lm/w	90lm/w	90lm/w	90lm/w
Control	Dali , 0-10V, on/off			



## INSTALLATION



## ACCESSORIES



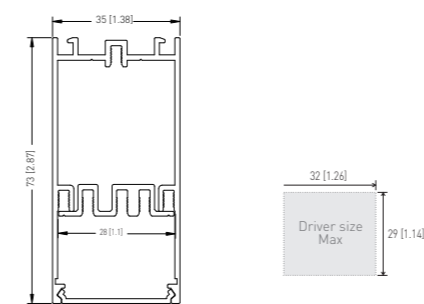
## SPECIFICATIONS

	Color Temperature		Lumen / Length		
RA 80	2700K	887lm / 0.6m	1775lm / 1.2m	2083lm / 1.5m	3588lm / 2.4m
	3000K	934lm / 0.6m	1868lm / 1.2m	2193lm / 1.5m	3777lm / 2.4m
	3500K	983lm / 0.6m	1967lm / 1.2m	2309lm / 1.5m	3976lm / 2.4m
	4000K	1035lm / 0.6m	2070lm / 1.2m	2430lm / 1.5m	4185lm / 2.4m
	5000K	1035lm / 0.6m	2070lm / 1.2m	2430lm / 1.5m	4185lm / 2.4m
	6000K	1035lm / 0.6m	2070lm / 1.2m	2430lm / 1.5m	4185lm / 2.4m
	6500K	1035lm / 0.6m	2070lm / 1.2m	2430lm / 1.5m	4185lm / 2.4m
RA 90	2700K	710lm / 0.6m	1420lm / 1.2m	1667lm / 1.5m	2870lm / 2.4m
	3000K	747lm / 0.6m	1495lm / 1.2m	1754lm / 1.5m	3022lm / 2.4m
	3500K	787lm / 0.6m	1573lm / 1.2m	1847lm / 1.5m	3180lm / 2.4m
	4000K	828lm / 0.6m	1656lm / 1.2m	1944lm / 1.5m	3348lm / 2.4m
	5000K	828lm / 0.6m	1656lm / 1.2m	1944lm / 1.5m	3348lm / 2.4m
	5500K	828lm / 0.6m	1656lm / 1.2m	1944lm / 1.5m	3348lm / 2.4m
	6500K	828lm / 0.6m	1656lm / 1.2m	1944lm / 1.5m	3348lm / 2.4m
RA 95	2700K	639lm / 0.6m	1277lm / 1.2m	1500lm / 1.5m	2583lm / 2.4m
	3000K	673lm / 0.6m	1345lm / 1.2m	1579lm / 1.5m	2719lm / 2.4m
	3500K	708lm / 0.6m	1416lm / 1.2m	1662lm / 1.5m	2863lm / 2.4m
	4000K	745lm / 0.6m	1490lm / 1.2m	1749lm / 1.5m	3013lm / 2.4m
	6500K	745lm / 0.6m	1490lm / 1.2m	1749lm / 1.5m	3013lm / 2.4m
SAMSUNG RA 80	3000K	841lm / 0.6m	1681lm / 1.2m	1974lm / 1.5m	3340lm / 2.4m
	4000K	932lm / 0.6m	1863lm / 1.2m	2187lm / 1.5m	3767lm / 2.4m
	6500K	932lm / 0.6m	1863lm / 1.2m	2187lm / 1.5m	3767lm / 2.4m

### Note:

- The given data are typical values in PC Diffuser. Due to tolerances of the production process and the electrical components, values for light output and electrical power can vary up to 10%.
- 15% less on luminous flux at Traic driver, DALI and 0/1-10V driver, and -10% Non-Dim driver.
- Above data based on Non-Dimmable for all luminaires.
- More customized LED and CCT available.
- LM-80, IES TM-30-15 testing report available for led.

## DIMENSIONS

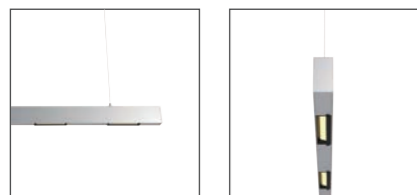


## LED CHIPS AND DRIVER OPTIONS



# SLIM SERIES

SURFACE WALL WASHER LINEAR LIGHT



## ORDERING INFORMATION

LUMINAIRE	FINISH	LENS	LENGTH	COLOR QUALITY <sup>1</sup>	COLOR TEMP <sup>2</sup>	CRI	INSTALL ACCS.	IP GRADE	CONTROL OPTOINS
U357228	W White  B Black  S Silver	W Wall Washer Kit	4 - 1208mm  CM -Customized	3 3-Step MacAdam Ellipse	30 - 3000K  40 - 4000K  50 - 5000K  65 - 6500K	80 80+ CRI  90 90+ CRI	P Aircraft cable pendant  M Ceiling Mounted	22 IP22	D1 - DALI  D2 - 0-10V  D3 - On/off

1. Vivalyte's standard is 3-Step MacAdam  
 2. The listed Color Temperature is only available in CRI80+ in Nichia Chips. For more options, pls. check with your executive sales.  
 3: Nichia's CRI 90+ option's is not the general inventory, the leading time is around 4weeks for it. Please check with your executive sales in details.

# SLIM SERIES

SURFACE WALL WASHER LINEAR LIGHT



## SPECIFICATIONS

Voltage	220V-240VAC / 100V-240 VAC	29-34 VDC Constant Current
Width / Height	W35mm x H73mm	
Length	1208mm with 4sets WW Kit	132.5mm
Power (W/m /ft)	21W/pc	5.5 W/pc
Efficacy Up to	70lm/w	90lm/w
Control	Dali , 0-10V, on/off	

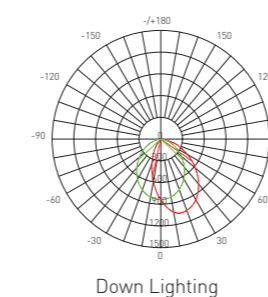
## SPECIFICATIONS

NICHIA RA 80	Color Temperature	3000K	4000K	5000K	6500K
	Lumen / Length	1661lm / 1.2m	1840lm / 1.2m	1840lm / 1.2m	1840lm / 1.2m
NICHIA RA 90	Color Temperature	3000K	4000K	5000K	6500K
	Lumen / Length	1137lm / 1.2m	1260lm / 1.2m	1260lm / 1.2m	1260lm / 1.2m

**Note:**

- The given data are typical values in 30deg Reflector Louver kit. Due to tolerances of the production process and the electrical components, values for light output and electrical power can vary up to 10%.
- 15% less on luminous flux at Traic driver, DALI and 0/1-10V driver, and -10% Non-Dim driver.
- Above data based on Non-Dimmable for all luminaires.
- More customized LED and CCT available.

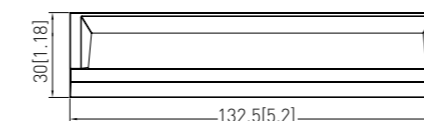
## BEAM ANGLE



## LED CHIPS AND DRIVER OPTIONS



## DIMENSIONS



Unit:mm[in]



**SPECIFICATIONS**

Voltage	220V-240VAC / 100V-240 VAC	29-34 VDC Constant Current
Width / Height	W35mm x H73mm	
Length	1208mm with 4sets Reflector Kit	132.5mm
Power (W/m /ft)	21 W/pc	5.5 W/pc
Efficacy Up to	90lm/w	90lm/w
Control	Dali , 0-10V, on/off	



**SPECIFICATIONS**

NICHIA RA 80	Color Temperature	3000K	4000K	5000K	6500K
	Lumen / Length	1717lm / 1.2m	1902lm / 1.2m	1902lm / 1.2m	1902lm / 1.2m
NICHIA RA 90	Color Temperature	3000K	4000K	5000K	6500K
	Lumen / Length	1516lm / 1.2m	1680lm / 1.2m	1680lm / 1.2m	1680lm / 1.2m

**Note:**

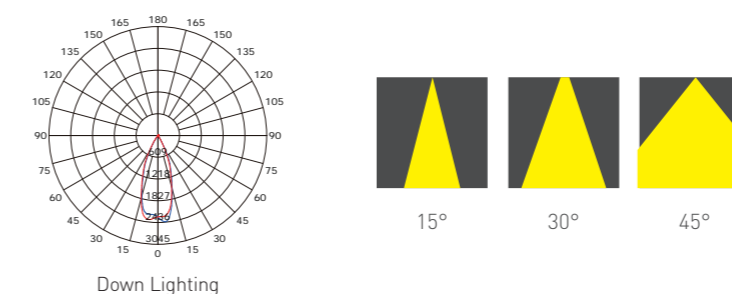
- The given data are typical values in PC Diffuser. Due to tolerances of the production process and the electrical components, values for light output and electrical power can vary up to 10%.
- 15% less on luminous flux at Traic driver, DALI and 0/1-10V driver, and -10% Non-Dim driver.
- 10% less on UGR<19 version.
- Above data based on Non-Dimmable for all luminaires.
- More customized LED and CCT available.
- LM-80, IES TM-30-15 testing report available for led.

**ORDERING INFORMATION**

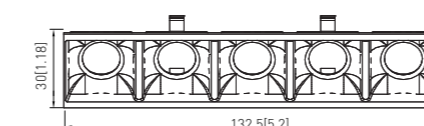
LUMINAIRE	FINISH	LENS	LENGTH	COLOR QUALITY <sup>1</sup>	COLOR TEMP <sup>2</sup>	CRI	INSTALL ACCS.	IP GRADE	CONTROL OPTOINS
U357228	W White B Black S Silver	15 -15Deg. Reflector Louver  30 -30Deg. Reflector Louver  45 -45Deg. Reflector Louver	4 - 1208mm  CM -Customized	3 3-Step MacAdam Ellipse	30 - 3000K 40 - 4000K 50 - 5000K 65 - 6500K	80 80+ CRI  90 90+ CRI	P Aircraft cable pendant  M Ceiling Mounted	22 IP22	D1 - DALI D2 - 0-10V D3 - On/off

1. Vivalyte's standard is 3-Step MacAdam  
2. The listed Color Temperature is only available in CRI80+ in Nichia Chips. For more options, pls. check with your executive sales.  
3: Nichia's CRI 90+ option's is not the general inventory, the leading time is around 4weeks for it. Please check with your executive sales in details.

**BEAM ANGLE**



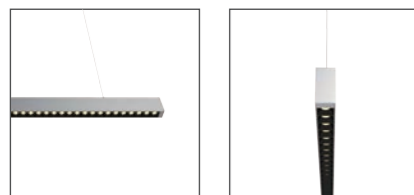
**DIMENSIONS**



Unit:mm[in]

**LED CHIPS AND DRIVER OPTIONS**





**ORDERING INFORMATION**

LUMINAIRE	FINISH	LENS	LENGTH	COLOR QUALITY <sup>1</sup>	COLOR TEMP <sup>2</sup>	CRI	INSTALL ACCS.	IP GRADE	CONTROL OPTOINS
U357228	W White	T50R -Round in Square	4 - 1208mm	3 3-Step MacAdam Ellipse	30 - 3000K	80 80+ CRI	P Aircraft cable pendant	22 IP22	D1 - DALI D2 - 0-10V D3 - On/off
	B Black	50° TIR Lens in Square	8 - 2408mm		40 - 4000K				
	S Silver	Louver	Fixed length only		50 - 5000K 65 - 6500K				

1. Vivalyte's standard is 3-Step MacAdam  
 2. The listed Color Temperature is only available in CRI80+ in Nichia Chips. For more options, pls. check with your executive sales.  
 3: Nichia's CRI 90+ option's is not the general inventory, the leading time is around 4weeks for it. Please check with your executive sales in details.

**SPECIFICATIONS**

Voltage	220V-240VAC / 100V-240 VAC	
Width / Height	W35mm x H73mm	
Length	1208mm	2408mm
Power (W/m /ft)	21W/pc	42W/pc
Efficacy Up to	90lm/w	90lm/w
Control	Dali , 0-10V, on/off	Dali , 0-10V, on/off



**SPECIFICATIONS**

NICHIA RA 80	Color Temperature	3000K	4000K	5000K	6500K
	Lumen / Length	1717lm / 1.2m	1902lm / 1.2m	1902lm / 1.2m	1902lm / 1.2m
NICHIA RA 90	Color Temperature	3000K	4000K	5000K	6500K
	Lumen / Length	1516lm / 1.2m	1680lm / 1.2m	1680lm / 1.2m	1680lm / 1.2m

**Note:**

- The given data are typical values in 50deg TRI Lens+Louver kit. Due to tolerances of the production process and the electrical components, values for light output and electrical power can vary up to 10%.
- 15% less on luminous flux at Traic driver, DALI and 0/1-10V driver, and -10% Non-Dim driver.
- Above data based on Non-Dimmable for all luminaires.
- More customized LED and CCT available.

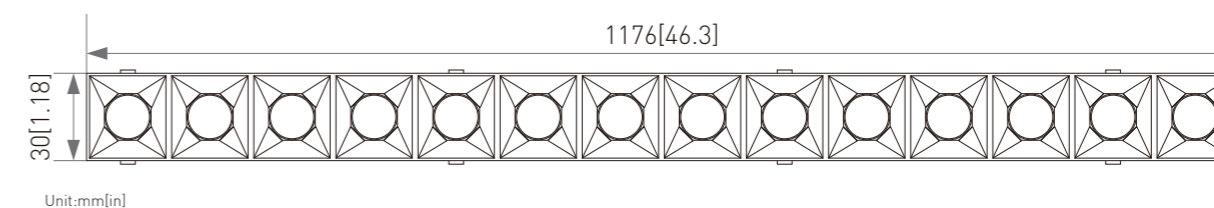
**BEAM ANGLE**



**LED CHIPS AND DRIVER OPTIONS**



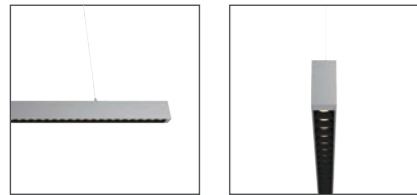
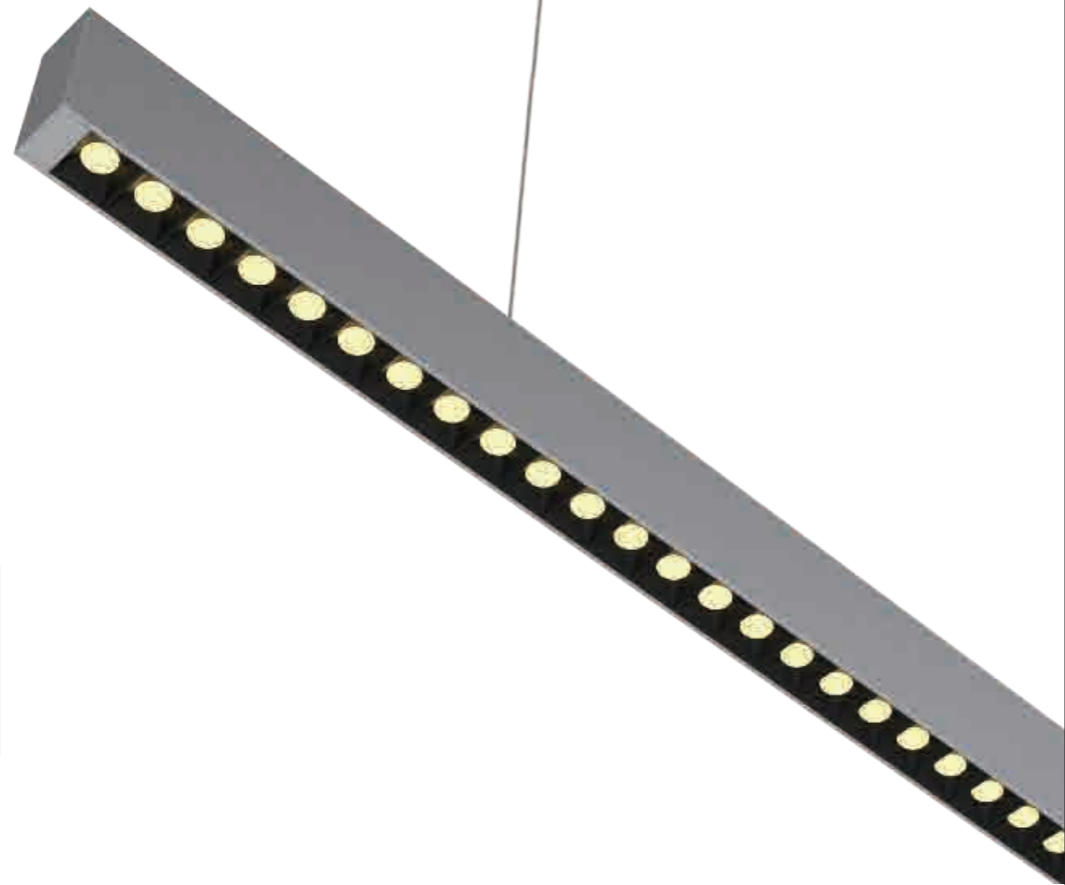
**DIMENSIONS**



# SLIM SERIES

SURFACE LOUVER LINEAR LIGHT

UGR  
<16



## ORDERING INFORMATION

LUMINAIRE	FINISH	LENS	LENGTH	COLOR QUALITY <sup>1</sup>	COLOR TEMP <sup>2</sup>	CRI	INSTALL ACCS.	IP GRADE	CONTROL OPTOINS	
U357228	W White	T50D -Round in Diamond	4 - 1208mm	3 3-Step MacAdam Ellipse	30 - 3000K	80 80+ CRI	P Aircraft cable pendant	22 IP22	D1 - DALI	
	B Black	50° TIR Lens in Diamond	8 - 2408mm		40 - 4000K					
	S Silver	Louver	Fixed length only		50 - 5000K					
					65 - 6500K	90 90+ CRI	M Ceiling Mounted		D2 - 0-10V	
										D3 - On/off

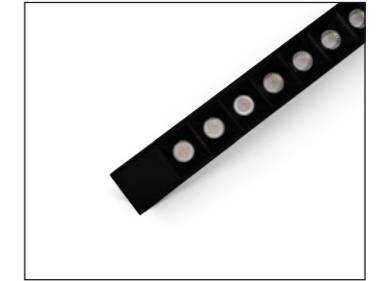
1. Vivalyte's standard is 3-Step MacAdam  
 2. The listed Color Temperature is only available in CRI80+ in Nichia Chips. For more options, pls. check with your executive sales.  
 3: Nichia's CRI 90+ option's is not the general inventory, the leading time is around 4weeks for it. Please check with your executive sales in details.

# SLIM SERIES

SURFACE LOUVER LINEAR LIGHT

## SPECIFICATIONS

Voltage	220V-240VAC / 100V-240 VAC	
Width / Height	W35mm x H73mm	
Length	1208mm	2408mm
Power (W/m /ft)	21W/pc	42W/pc
Efficacy Up to	90lm/w	90lm/w
Control	Dali , 0-10V, on/off	Dali , 0-10V, on/off



## SPECIFICATIONS

NICHIA RA 80	Color Temperature	3000K	4000K	5000K	6500K
	Lumen / Length	1717lm / 1.2m	1902lm / 1.2m	1902lm / 1.2m	1902lm / 1.2m
NICHIA RA 90	Color Temperature	3000K	4000K	5000K	6500K
	Lumen / Length	1516lm / 1.2m	1680lm / 1.2m	1680lm / 1.2m	1680lm / 1.2m

### Note:

- The given data are typical values in 50deg TRI Lens+Louver kit. Due to tolerances of the production process and the electrical components, values for light output and electrical power can vary up to 10%.
- 15% less on luminous flux at Traic driver, DALI and 0/1-10V driver, and -10% Non-Dim driver.
- Above data based on Non-Dimmable for all luminaires.
- More customized LED and CCT available.

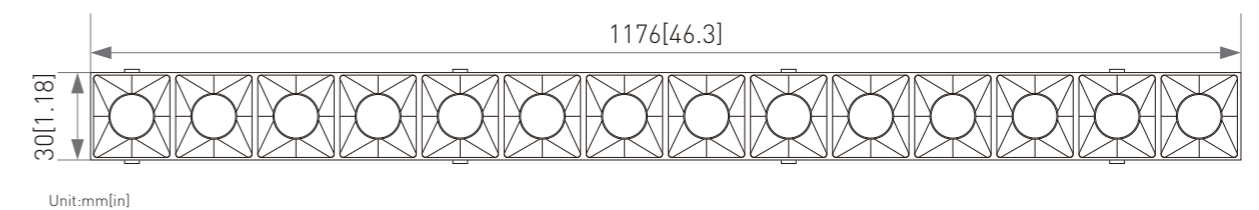
## BEAM ANGLE



## LED CHIPS AND DRIVER OPTIONS

NICHIA 
 EPSTAR 
 SAMSUNG  
 TRIDONIC 
 OSRAM 
 LIFUD

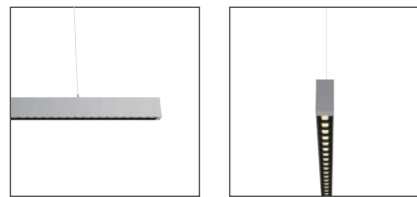
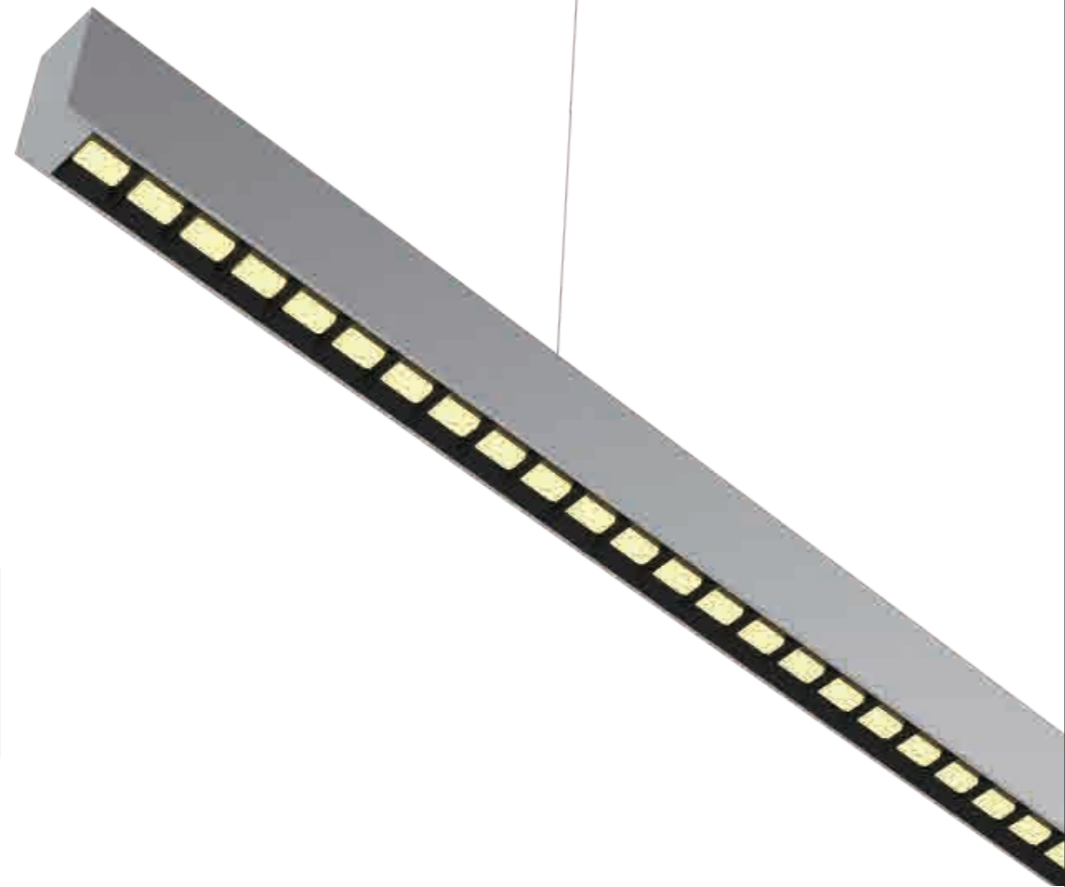
## DIMENSIONS



# SLIM SERIES

SURFACE LOUVER LINEAR LIGHT

UGR  
<16



## ORDERING INFORMATION

LUMINAIRE	FINISH	LENS	LENGTH	COLOR QUALITY <sup>1</sup>	COLOR TEMP <sup>2</sup>	CRI	INSTALL ACCS.	IP GRADE	CONTROL OPTOINS
U357228	W White	T3575 -35° x 75° TIR Lens in Rectangle Louver	4 - 1208mm	3 3-Step MacAdam Ellipse	30 - 3000K	80 80+ CRI  90 90+ CRI	P Aircraft cable pendant  M Ceiling Mounted	22 IP22	D1 - DALI D2 - 0-10V D3 - On/off
	B Black		8 - 2408mm		40 - 4000K				
	S Silver		Fixed length only		50 - 5000K				
					65 - 6500K				

1. Vivalyte's standard is 3-Step MacAdam  
 2. The listed Color Temperature is only available in CRI80+ in Nichia Chips. For more options, pls. check with your executive sales.  
 3: Nichia's CRI 90+ option's is not the general inventory, the leading time is around 4weeks for it. Please check with your executive sales in details.

# SLIM SERIES

SURFACE LOUVER LINEAR LIGHT

## SPECIFICATIONS

Voltage	220V-240VAC / 100V-240 VAC	
Width / Height	W35mm x H73mm	
Length	1208mm	2408mm
Power (W/m /ft)	21W/pc	42W/pc
Efficacy Up to	90lm/w	90lm/w
Control	Dali , 0-10V, on/off	



## SPECIFICATIONS

NICHIA RA 80	Color Temperature	3000K	4000K	5000K	6500K
	Lumen / Length	1717lm / 1.2m	1902lm / 1.2m	1902lm / 1.2m	1902lm / 1.2m
NICHIA RA 90	Color Temperature	3000K	4000K	5000K	6500K
	Lumen / Length	1516lm / 1.2m	1680lm / 1.2m	1680lm / 1.2m	1680lm / 1.2m

**Note:**

- The given data are typical values in 50deg TRI Lens+Louver kit. Due to tolerances of the production process and the electrical components, values for light output and electrical power can vary up to 10%.
- 15% less on luminous flux at Traic driver, DALI and 0/1-10V driver, and -10% Non-Dim driver.
- Above data based on Non-Dimmable for all luminaires.
- More customized LED and CCT available.

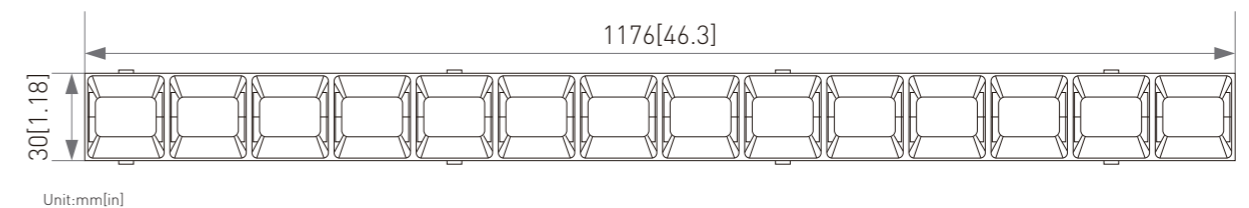
## BEAM ANGLE



## LED CHIPS AND DRIVER OPTIONS

**NICHIA** **EPISTAR** **SAMSUNG**  
**TRIDONIC** **OSRAM** **LIFUD**

## DIMENSIONS

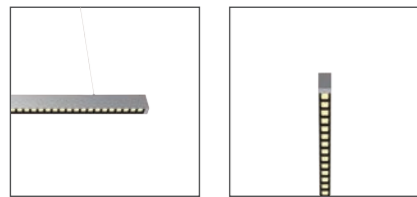
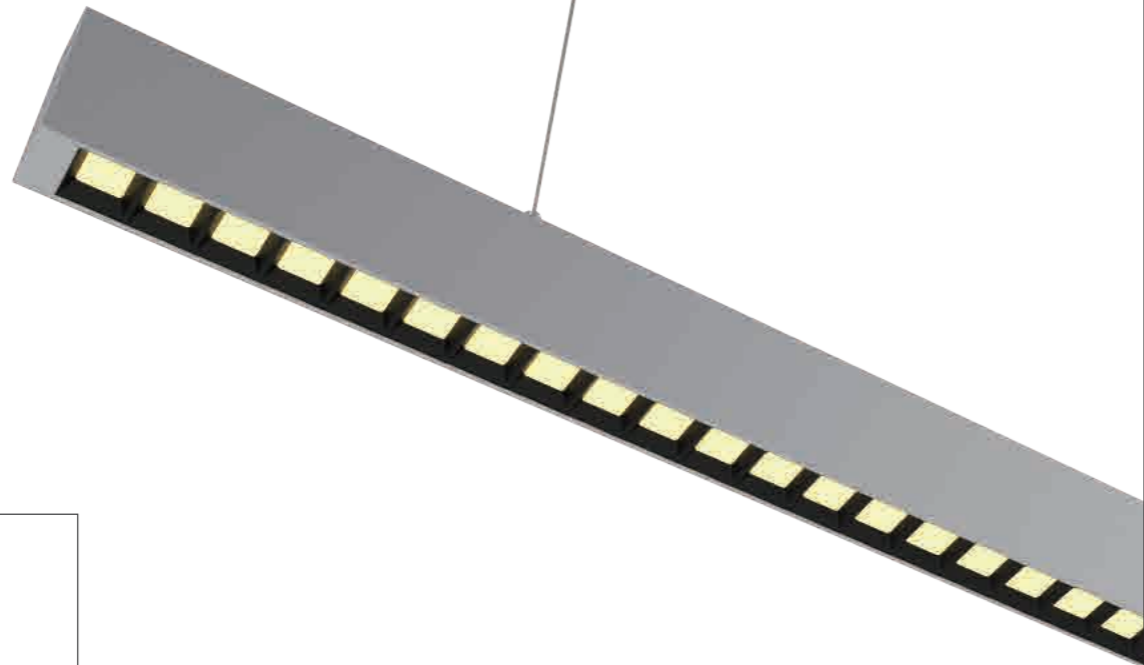




# SLIM SERIES

SURFACE LOUVER LINEAR LIGHT

UGR  
< 16



## ORDERING INFORMATION

LUMINAIRE	FINISH	LENS	LENGTH	COLOR QUALITY <sup>1</sup>	COLOR TEMP <sup>2</sup>	CRI	INSTALL ACCS.	IP GRADE	CONTROL OPTOINS
U357228	W White	T5050 -50° x 50° TIR Lens in Square Louver	4 - 1208mm	3 3-Step MacAdam Ellipse	30 - 3000K	80 80+ CRI  90 90+ CRI	P Aircraft cable pendant  M Ceiling Mounted	22 IP22	D1 - DALI D2 - 0-10V D3 - On/off
	B Black		8 - 2408mm		40 - 4000K				
	S Silver		Fixed length only		50 - 5000K				
					65 - 6500K				

1. Vivalyte's standard is 3-Step MacAdam

2. The listed Color Temperature is only available in CRI80+ in Nichia Chips. For more options, pls. check with your executive sales.

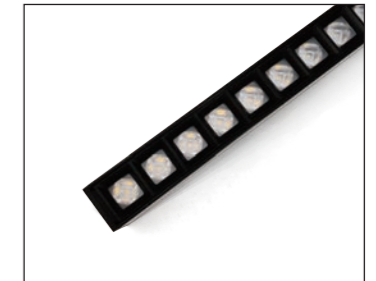
3: Nichia's CRI 90+ option's is not the general inventory, the leading time is around 4weeks for it. Please check with your executive sales in details.

# SLIM SERIES

SURFACE LOUVER LINEAR LIGHT

## SPECIFICATIONS

Voltage	220V-240VAC / 100V-240 VAC	
Width / Height	W35mm x H73mm	
Length	1208mm	2408mm
Power (W/m /ft)	21W/pc	42W/pc
Efficacy Up to	90lm/w	90lm/w
Control	Dali , 0-10V, on/off	Dali , 0-10V, on/off



## SPECIFICATIONS

NICHIA RA 80	Color Temperature	3000K	4000K	5000K	6500K
	Lumen / Length	1717lm / 1.2m	1902lm / 1.2m	1902lm / 1.2m	1902lm / 1.2m
NICHIA RA 90	Color Temperature	3000K	4000K	5000K	6500K
	Lumen / Length	1516lm / 1.2m	1680lm / 1.2m	1680lm / 1.2m	1680lm / 1.2m

### Note:

- The given data are typical values in 50deg TRI Lens+Louver kit. Due to tolerances of the production process and the electrical components, values for light output and electrical power can vary up to 10%.
- 15% less on luminous flux at Traic driver, DALI and 0/1-10V driver, and -10% Non-Dim driver.
- Above data based on Non-Dimmable for all luminaires.
- More customized LED and CCT available.

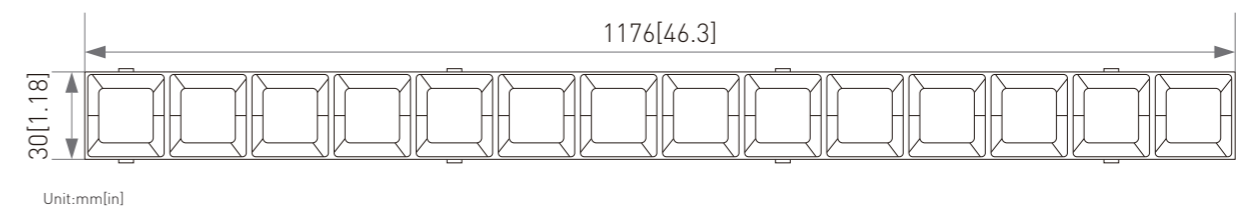
## BEAM ANGLE



## LED CHIPS AND DRIVER OPTIONS

**NICHIA** **EPISTAR** **SAMSUNG**  
**TRIDONIC** **OSRAM** **Lifud**

## DIMENSIONS



**UGR**  
**<19**

# LUZ SERIES

## LINEAR LIGHT

LUZ P/M/W is a linear LED lighting fixture that features by various Optic options. It can be built hundreds option depends on the lighting environment requires based on various optical options .

The 15° / 30° / 45° louver plus the Wall washer louver are satisfying most of the application.

Fixture features 80+, 90+ or 95+ Ra LEDs. White color from 2700K to 6500K.

Dimmable driver available in Dali, 0/1-10V type, also controllable options in DMX, PWM and 2.4G Static, Tunable white, RGBW solution available.

The fixture is designed in multiple installation in Sus-pendant , Wall / Ceiling Mounted , Trim-less or Trimed Recessed.

Fixture lengths are available in 2ft,4ft,5ft and 8ft, and custom lengths are available in 19.6ft.

### Finish

Aluminum clear matt anodized  
White / Black powder coating  
Customized RAL color available

### Applications

Indoor - Commercial, Residential , Office, Educational Instituions, Conference Rooms and many other workspace



**ORDERING INFORMATION**

LUMINAIRE	FINISH	LENS	LENGTH	COLOR QUALITY <sup>1</sup>	COLOR TEMP <sup>2</sup>	CRI	INSTALL ACCS.	IP GRADE	CONTROL OPTOINS
U508533	W White	U UGR<19 Kit	2 - 608mm	3 3-Step MacAdam Ellipse	27 - 2700K	80 80+ CRI	P Aircraft cable pendant	22 IP22	D1 - DALI D2 - 0-10V D3 - On/off
			4 - 1208mm		30 - 3000K				
			5 - 1508mm		35 - 3500K				
	B Black	D Diffuser	8 - 2408mm	5 5-Step MacAdam Ellips	40 - 4000K	90 90+ CRI	W Wall Mounted		
			50 - 5000K		95 95+ CRI			M Ceiling Mounted	
			60 - 6000K						
			65 - 6500K						

1. Vivalyte's standard is 3-Step MacAdam  
 2. The listed Color Temperature is only available in CRI80+ in Epistar Chips, for 95+, 90+ in Epistar and Sumsung chips, pls. check the list on following page. For more options, pls. check with your executive sales.

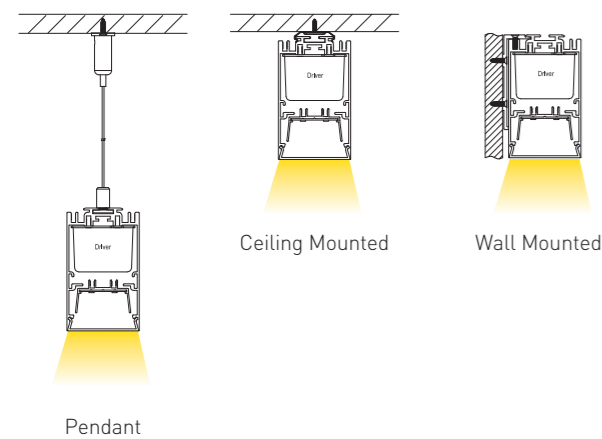
**SPECIFICATIONS**

Voltage	220V-240VAC / 100V-240 VAC			
Width / Height	W50mm x H85mm			
Length	608mm	1208mm	1508mm	2408mm
Power (W/m /ft)	15.6 W/pc	31.1 W/pc	37.8 W/pc	62 W/pc
Efficacy Up to	85lm/w	90lm/w	90lm/w	90lm/w
Control	Dali , 0-10V, on/off			

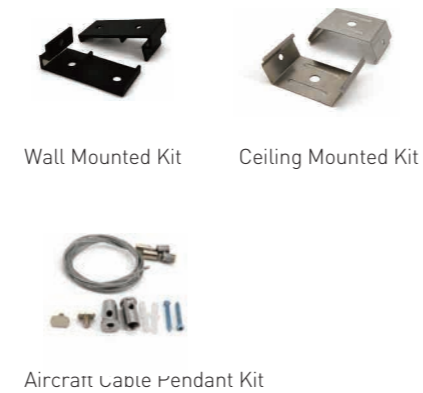
**LED CHIPS AND DRIVER OPTIONS**



**INSTALLATION**



**ACCESSORIES**

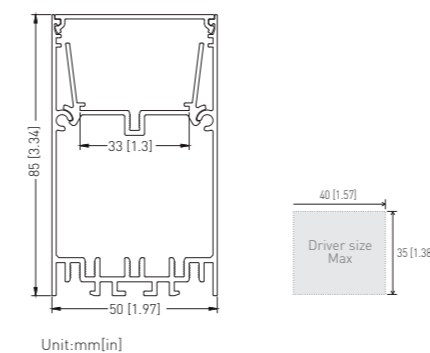


**SPECIFICATIONS**

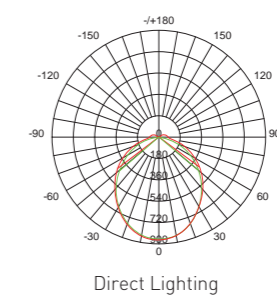
	Color Temperature		Lumen / Length		
	2700K	3000K	3500K	4000K	6500K
RA 80	1204lm / 0.6m	2400lm / 1.2m	2917lm / 1.5m	4784lm / 2.4m	
	1267lm / 0.6m	2526lm / 1.2m	3070lm / 1.5m	5036lm / 2.4m	
	1334lm / 0.6m	2659lm / 1.2m	3232lm / 1.5m	5301lm / 2.4m	
	1404lm / 0.6m	2799lm / 1.2m	3402lm / 1.5m	5580lm / 2.4m	
	1404lm / 0.6m	2799lm / 1.2m	3402lm / 1.5m	5580lm / 2.4m	
	1404lm / 0.6m	2799lm / 1.2m	3402lm / 1.5m	5580lm / 2.4m	
	1404lm / 0.6m	2799lm / 1.2m	3402lm / 1.5m	5580lm / 2.4m	
RA 90	963lm / 0.6m	1920lm / 1.2m	2333lm / 1.5m	3827lm / 2.4m	
	1014lm / 0.6m	2021lm / 1.2m	2456lm / 1.5m	4029lm / 2.4m	
	1067lm / 0.6m	2127lm / 1.2m	2586lm / 1.5m	4241lm / 2.4m	
	1123lm / 0.6m	2239lm / 1.2m	2722lm / 1.5m	4464lm / 2.4m	
	1123lm / 0.6m	2239lm / 1.2m	2722lm / 1.5m	4464lm / 2.4m	
	1123lm / 0.6m	2239lm / 1.2m	2722lm / 1.5m	4464lm / 2.4m	
	1123lm / 0.6m	2239lm / 1.2m	2722lm / 1.5m	4464lm / 2.4m	
RA 95	867lm / 0.6m	1728lm / 1.2m	2100lm / 1.5m	3445lm / 2.4m	
	912lm / 0.6m	1819lm / 1.2m	2211lm / 1.5m	3626lm / 2.4m	
	960lm / 0.6m	1915lm / 1.2m	2327lm / 1.5m	3817lm / 2.4m	
	1010lm / 0.6m	2015lm / 1.2m	2449lm / 1.5m	4017lm / 2.4m	
	1010lm / 0.6m	2015lm / 1.2m	2449lm / 1.5m	4017lm / 2.4m	
SAMSUNG RA 80	1200lm / 0.6m	2393lm / 1.2m	2909lm / 1.5m	4771lm / 2.4m	
	1263lm / 0.6m	2519lm / 1.2m	3061lm / 1.5m	5022lm / 2.4m	
	1263lm / 0.6m	2519lm / 1.2m	3061lm / 1.5m	5022lm / 2.4m	

**Note:**  
 - The given data are typical values in PC Diffuser. Due to tolerances of the production process and the electrical components, values for light output and electrical power can vary up to 10%.  
 - 15% less on luminous flux at Traic driver, DALI and 0/1-10V driver, and -10% Non-Dim driver.  
 - 10% less on UGR<19 version.  
 - Above data based on Non-Dimmable for all luminaires.  
 - More customized LED and CCT available.  
 - LM-80, IES TM-30-15 testing report available for led.

**DIMENSIONS**

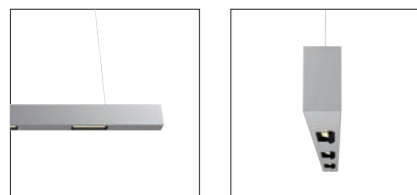


**BEAM ANGLE**



# LUZ SERIES

WALL WASHER SURFACE LINEAR LIGHT



# LUZ SERIES

WALL WASHER SURFACE LINEAR LIGHT

## SPECIFICATIONS

Voltage	220V-240VAC / 100V-240 VAC	29-34 VDC Constant Current
Width / Height	W50mm x H85mm	
Length	1208mm with 4sets WW Kit	132.5mm
Power (W/m /ft)	23 W/pc	5W/set
Efficacy Up to	70lm/w	80lm/w
Control	Dali , 0-10V, on/off	



## SPECIFICATIONS

	Color Temperature	3000K	4000K	5000K	6500K
NICHIA RA 80	Lumen / Length	1660lm / 1.2m	1840lm / 1.2m	1840lm / 1.2m	1840lm / 1.2m
NICHIA RA 90	Color Temperature	3000K	4000K	5000K	6500K
	Lumen / Length	1137lm / 1.2m	1260lm / 1.2m	1260lm / 1.2m	1260lm / 1.2m

**Note:**

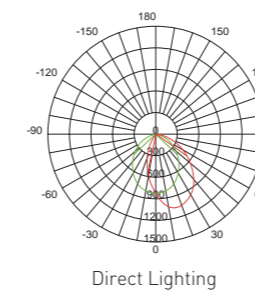
- The given data are typical values in 4sets wall washer kit. Due to tolerances of the production process and the electrical components, values for light output and electrical power can vary up to 10%.
- 15% less on luminous flux at Traic driver,DALI and 0/1-10V driver, and -10% Non-Dim driver.
- Above data based on Non-Dimmable for all luminaires.
- More customized LED and CCT available.

## ORDERING INFORMATION

LUMINAIRE	FINISH	LENS	LENGTH	COLOR QUALITY <sup>1</sup>	COLOR TEMP <sup>2</sup>	CRI	INSTALL ACCS.	IP GRADE	CONTROL OPTOINS
U508533	W White B Black S Silver	WW Wall Washer Kit	4 - 1208mm CM -Customized	3 3-Step MacAdam Ellipse	30 - 3000K 40 - 4000K 50 - 5000K 65 - 6500K	80 80+ CRI 90 90+ CRI	P Aircraft cable pendant W Wall Mounted M Ceiling Mounted	22 IP22	D1 - DALI D2 - 0-10V D3 - On/off

1. Vivalyte's standard is 3-Step MacAdam  
 2. The listed Color Temperature is only available in CRI80+ in Nichia Chips. For more options, pls. check with your executive sales.  
 3: Nichia's CRI 90+ option's is not the general inventory, the leading time is around 4weeks for it. Please check with your executive sales in details.

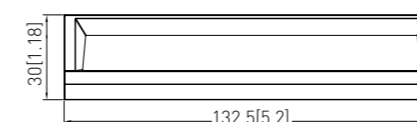
## BEAM ANGLE



## LED CHIPS AND DRIVER OPTIONS

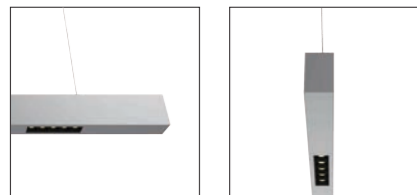


## DIMENSIONS



Unit:mm[in]

**UGR**  
**< 16**



**SPECIFICATIONS**

Voltage	220V-240VAC / 100V-240 VAC	29-34 VDC Constant Current
Width / Height	W50mm x H85mm	
Length	1208mm W 4sets louver reflector Kit	132.5mm
Power (W/m /ft)	23 W/pc	5.5 W/pc
Efficacy Up to	90lm/w	90lm/w
Control	Dali , 0-10V, on/off	



**SPECIFICATIONS**

NICHIA RA 80	Color Temperature	3000K	4000K	5000K	6500K
	Lumen / Length	1717lm / 1.2m	1902lm / 1.2m	1902lm / 1.2m	1902lm / 1.2m
NICHIA RA 90	Color Temperature	3000K	4000K	5000K	6500K
	Lumen / Length	1516lm / 1.2m	1680lm / 1.2m	1680lm / 1.2m	1680lm / 1.2m

**Note:**

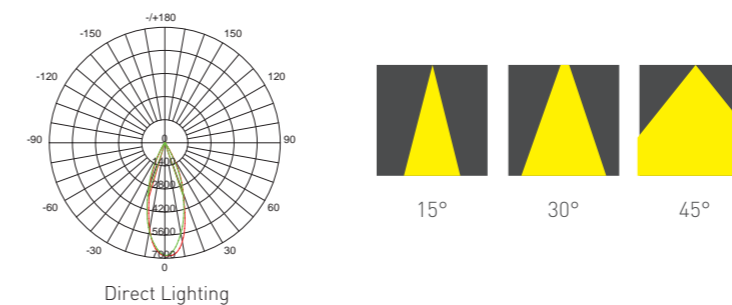
- The given data are typical values in 4sets 30Deg. Reflector Louver kit. Due to tolerances of the production process and the electrical components, values for light output and electrical power can vary up to 10%.
- 15% less on luminous flux at Traic driver, DALI and 0/1-10V driver, and -10% Non-Dim driver.
- Above data based on Non-Dimmable for all luminaires.
- More customized LED and CCT available.

**ORDERING INFORMATION**

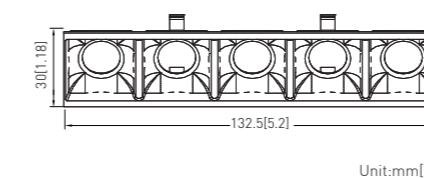
LUMINAIRE	FINISH	LENS	LENGTH	COLOR QUALITY <sup>1</sup>	COLOR TEMP <sup>2</sup>	CRI	INSTALL ACCS.	IP GRADE	CONTROL OPTOINS	
U508533	W White	15 -15Deg. Reflector Louver	4 - 1208mm	3 3-Step MacAdam Ellipse	30 - 3000K	80 80+ CRI	P Aircraft cable pendant	22 IP22	D1 - DALI D2 - 0-10V D3 - On/off	
	B Black	30 -30Deg. Reflector Louver	CM -Customized		40 - 4000K					90 90+ CRI
	S Silver	45 -45Deg. Reflector Louver			50 - 5000K					
					65 - 6500K					
							W Wall Mounted			
							M Ceiling Mounted			

1. Vivalyte's standard is 3-Step MacAdam  
 2. The listed Color Temperature is only available in CRI80+ in Nichia Chips. For more options, pls. check with your executive sales.  
 3: Nichia's CRI 90+ option's is not the general inventory, the leading time is around 4weeks for it. Please check with your executive sales in details.

**BEAM ANGLE**



**DIMENSIONS**



**LED CHIPS AND DRIVER OPTIONS**

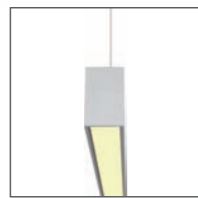
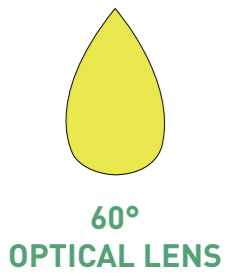


# LUZ SERIES

PANDANT LINEAR LIGHT

# LUZ SERIES

PANDANT LINEAR LIGHT



## SPECIFICATIONS

Voltage	220V-240VAC / 100V-240 VAC
Width / Height	W50mm x H85mm
Length	1182mm
Power [W/m /ft]	31.1 W/pc
Efficacy Up to	90lm/w
Control	Dali , 0-10V, on/off

## LED CHIPS AND DRIVER OPTIONS



## SPECIFICATIONS

	2700K	3000K	3500K	4000K	5000K	6500K
RA 80	2399lm / 1.2m	2526lm / 1.2m	2659lm / 1.2m	2799lm / 1.2m	2799lm / 1.2m	2799lm / 1.2m
RA 90	2127lm / 1.2m	2020lm / 1.2m	1919lm / 1.2m	2239lm / 1.2m	2239lm / 1.2m	2239lm / 1.2m
RA 95	1914lm / 1.2m	1818lm / 1.2m	1727lm / 1.2m	2015lm / 1.2m	2015lm / 1.2m	2015lm / 1.2m
SAMSUNG RA80	2393lm / 1.2m	2273lm / 1.2m	2159lm / 1.2m	2519lm / 1.2m	2519lm / 1.2m	

### Note:

- The given data are typical values in 4000K CRI80+. Due to tolerances of the production process and the electrical components, values for light output and electrical power can vary up to 10%.
- 15% less on luminous flux at Traic driver, DALI and 0/1-10V driver, and -10% Non-Dim driver.
- Above data based on Non-Dimmable for all luminaires.
- More customized LED and CCT available.

## ORDERING INFORMATION

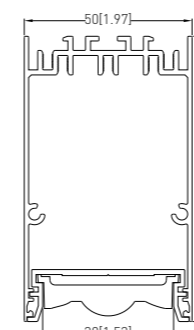
LUMINAIRE	FINISH	LENS	LENGTH	COLOR QUALITY <sup>1</sup>	COLOR TEMP <sup>2</sup>	CRI	INSTALL ACCS.	IP GRADE	CONTROL OPTOINS
U5085L	W White B Black S Silver	60 -60Deg. PMMA Lens	4 - 1182mm	3 3-Step MacAdam Ellipse	30 - 3000K 40 - 4000K 50 - 5000K 65 - 6500K	80 80+ CRI 90 90+ CRI	P Aircraft cable pendant W Wall Mounted M Ceiling Mounted TLR Trim-Less Recessed	22 IP22	D1 - DALI D2 - 0-10V D3 - On/off

1. Vivalyte's standard is 3-Step MacAdam

2. The listed Color Temperature is only available in CRI80+ in Nichia Chips. For more options, pls. check with your executive sales.

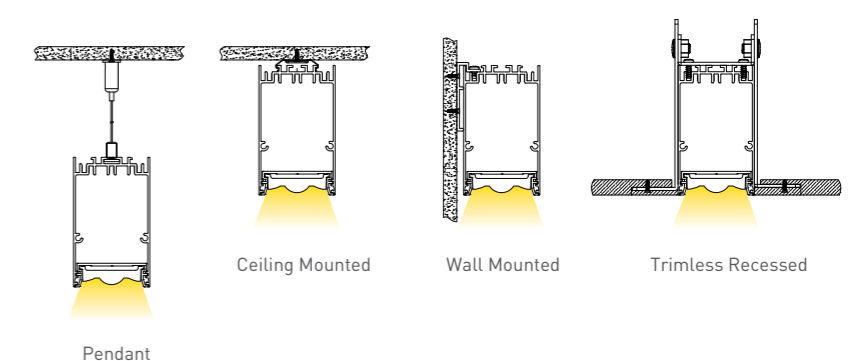
3: Nichia's CRI 90+ option's is not the general inventory, the leading time is around 4weeks for it. Please check with your executive sales in details.

## DIMENSIONS



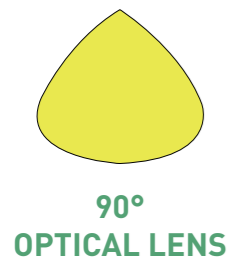
Unit:mm[in]

## INSTALLATION



# LUZ SERIES

PANDANT LINEAR LIGHT



# LUZ SERIES

PANDANT LINEAR LIGHT

## SPECIFICATIONS

Voltage	220V-240VAC / 100V-240 VAC
Width / Height	W50mm x H85mm
Length	1182mm
Power (W/m /ft)	31.1 W/pc
Efficacy Up to	90lm/w
Control	Dali , 0-10V, on/off

## LED CHIPS AND DRIVER OPTIONS



## SPECIFICATIONS

	2700K	3000K	3500K	4000K	5000K	6500K
RA 80	2399lm / 1.2m	2526lm / 1.2m	2659lm / 1.2m	2799lm / 1.2m	2799lm / 1.2m	2799lm / 1.2m
RA 90	2127lm / 1.2m	2020lm / 1.2m	1919lm / 1.2m	2239lm / 1.2m	2239lm / 1.2m	2239lm / 1.2m
RA 95	1914lm / 1.2m	1818lm / 1.2m	1727lm / 1.2m	2015lm / 1.2m	2015lm / 1.2m	2015lm / 1.2m
SAMSUNG RA80	2393lm / 1.2m	2273lm / 1.2m	2159lm / 1.2m	2519lm / 1.2m	2519lm / 1.2m	2519lm / 1.2m

**Note:**

- The given data are typical values in 4000K CRI80+. Due to tolerances of the production process and the electrical components, values for light output and electrical power can vary up to 10%.
- 15% less on luminous flux at Traic driver,DALI and 0/1-10V driver, and -10% Non-Dim driver.
- Above data based on Non-Dimmable for all luminaires.
- More customized LED and CCT available.

## ORDERING INFORMATION

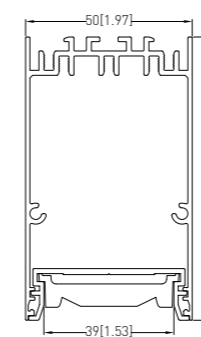
LUMINAIRE	FINISH	LENS	LENGTH	COLOR QUALITY <sup>1</sup>	COLOR TEMP <sup>2</sup>	CRI	INSTALL ACCS.	IP GRADE	CONTROL OPTOINS
U5085L	W White B Black S Silver	90 -90Deg. PMMA Lens	4 - 1182mm Fixed Length	3 3-Step MacAdam Ellipse	30 - 3000K 40 - 4000K 50 - 5000K 65 - 6500K	80 80+ CRI  90 90+ CRI	P Aircraft cable pendant  W Wall Mounted  M Ceiling Mounted  TLR Trim-Less Recessed	22 IP22	D1 - DALI D2 - 0-10V D3 - On/off

1. Vivalyte's standard is 3-Step MacAdam

2. The listed Color Temperature is only available in CRI80+ in Nichia Chips. For more options, pls. check with your executive sales.

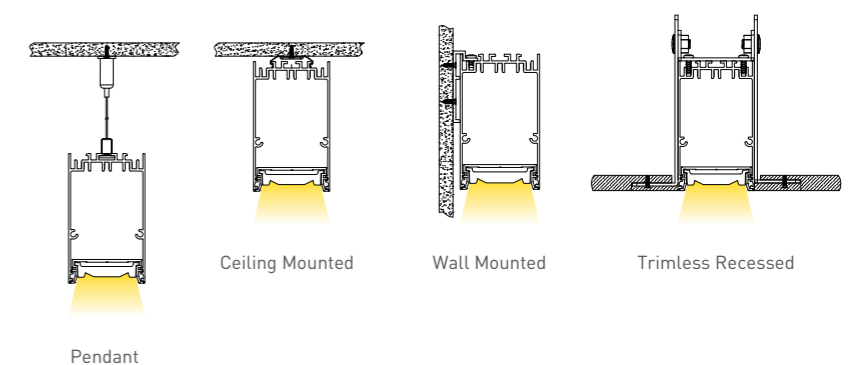
3: Nichia's CRI 90+ option's is not the general inventory, the leading time is around 4weeks for it. Please check with your executive sales in details.

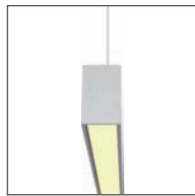
## DIMENSIONS



Unit:mm[in]

## INSTALLATION





**SPECIFICATIONS**

Voltage	220V-240VAC / 100V-240 VAC
Width / Height	W50mm x H85mm
Length	1182mm
Power (W/m /ft)	31.1 W/pc
Efficacy Up to	90lm/w
Control	Dali , 0-10V, on/off

**LED CHIPS AND DRIVER OPTIONS**



**SPECIFICATIONS**

	2700K	3000K	3500K	4000K	5000K	6500K
RA 80	2399lm / 1.2m	2526lm / 1.2m	2659lm / 1.2m	2799lm / 1.2m	2799lm / 1.2m	2799lm / 1.2m
RA 90	2127lm / 1.2m	2020lm / 1.2m	1919lm / 1.2m	2239lm / 1.2m	2239lm / 1.2m	2239lm / 1.2m
RA 95	1914lm / 1.2m	1818lm / 1.2m	1727lm / 1.2m	2015lm / 1.2m	2015lm / 1.2m	2015lm / 1.2m
SAMSUNG RA80	2393lm / 1.2m	2273lm / 1.2m	2159lm / 1.2m	2519lm / 1.2m	2519lm / 1.2m	

**Note:**

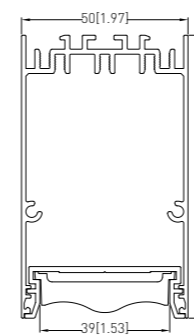
- The given data are typical values in 4000K CRI80+. Due to tolerances of the production process and the electrical components, values for light output and electrical power can vary up to 10%.
- 15% less on luminous flux at Traic driver, DALI and 0/1-10V driver, and -10% Non-Dim driver.
- Above data based on Non-Dimmable for all luminaires.
- More customized LED and CCT available.

**ORDERING INFORMATION**

LUMINAIRE	FINISH	LENS	LENGTH	COLOR QUALITY <sup>1</sup>	COLOR TEMP <sup>2</sup>	CRI	INSTALL ACCS.	IP GRADE	CONTROL OPTOINS
U5085L	W White B Black S Silver	BA -Batwing PMMA Lens	4 - 1182mm Fixed length	3 3-Step MacAdam Ellipse	30 - 3000K 40 - 4000K 50 - 5000K 65 - 6500K	80 80+ CRI  90 90+ CRI	P Aircraft cable pendant  W Wall Mounted  M Ceiling Mounted  TLR Trim-Less Recessed	22 IP22	D1 - DALI D2 - 0-10V D3 - On/off

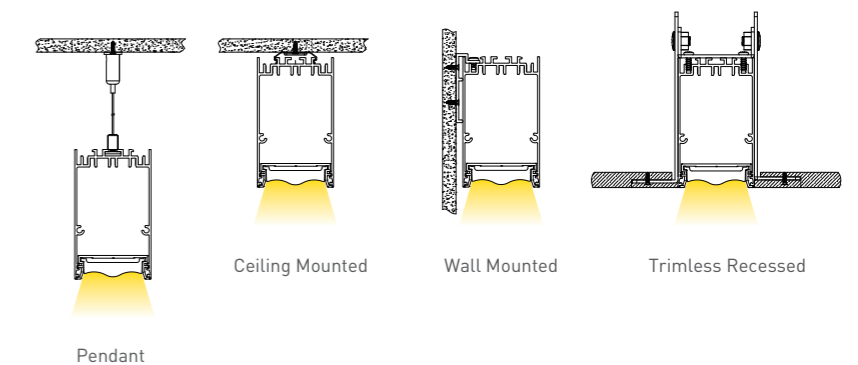
1. Vivalyte's standard is 3-Step MacAdam  
 2. The listed Color Temperature is only available in CRI80+ in Nichia Chips. For more options, pls. check with your executive sales.  
 3: Nichia's CRI 90+ option's is not the general inventory, the leading time is around 4weeks for it. Please check with your executive sales in details.

**DIMENSIONS**



Unit:mm[in]

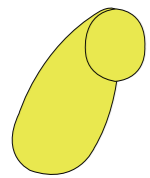
**INSTALLATION**





# LUZ SERIES

WALL WASHER PANDANT LINEAR LIGHT



ASYMMETRIC OPTICAL LENS



## ORDERING INFORMATION

LUMINAIRE	FINISH	LENS	LENGTH	COLOR QUALITY <sup>1</sup>	COLOR TEMP <sup>2</sup>	CRI	INSTALL ACCS.	IP GRADE	CONTROL OPTOINS
U5085L	W White B Black S Silver	AS- Asymmetric PMMA Lens	4 - 1182mm Fixed length	3 3-Step MacAdam Ellipse	30 - 3000K 40 - 4000K 50 - 5000K 65 - 6500K	80 80+ CRI 90 90+ CRI	P Aircraft cable pendant W Wall Mounted M Ceiling Mounted TLR Trim-Less Recessed	22 IP22	D1 - DALI D2 - 0-10V D3 - On/off

1. Vivalyte's standard is 3-Step MacAdam

2. The listed Color Temperature is only available in CRI80+ in Nichia Chips. For more options, pls. check with your executive sales.

3: Nichia's CRI 90+ option's is not the general inventory, the leading time is around 4weeks for it. Please check with your executive sales in details.

# LUZ SERIES

WALL WASHER PANDANT LINEAR LIGHT

## SPECIFICATIONS

Voltage	220V-240VAC / 100V-240 VAC
Width / Height	W50mm x H85mm
Length	1182mm
Power (W/m /ft)	31.1 W/pc
Efficacy Up to	90lm/w
Control	Dali , 0-10V, on/off

## LED CHIPS AND DRIVER OPTIONS



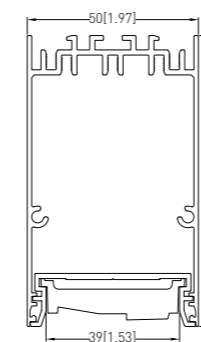
## SPECIFICATIONS

	2700K	3000K	3500K	4000K	5000K	6500K
RA 80	2399lm / 1.2m	2526lm / 1.2m	2659lm / 1.2m	2799lm / 1.2m	2799lm / 1.2m	2799lm / 1.2m
RA 90	2127lm / 1.2m	2020lm / 1.2m	1919lm / 1.2m	2239lm / 1.2m	2239lm / 1.2m	2239lm / 1.2m
RA 95	1914lm / 1.2m	1818lm / 1.2m	1727lm / 1.2m	2015lm / 1.2m	2015lm / 1.2m	2015lm / 1.2m
SAMSUNG RA80	2393lm / 1.2m	2273lm / 1.2m	2159lm / 1.2m	2519lm / 1.2m	2519lm / 1.2m	2519lm / 1.2m

**Note:**

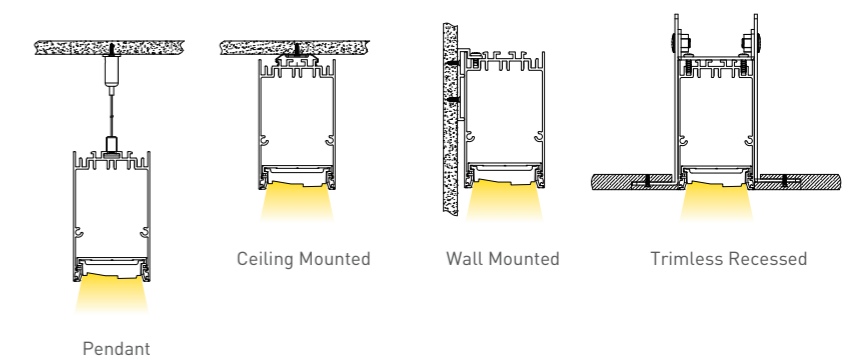
- The given data are typical values in 4000K CRI80+. Due to tolerances of the production process and the electrical components, values for light output and electrical power can vary up to 10%.
- 15% less on luminous flux at Traic driver, DALI and 0/1-10V driver, and -10% Non-Dim driver.
- Above data based on Non-Dimmable for all luminaires.
- More customized LED and CCT available.

## DIMENSIONS



Unit:mm[in]

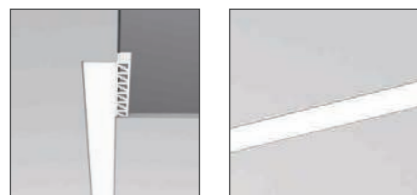
## INSTALLATION



# LUZ SERIES

TRIMLESS RECESSED LINEAR LIGHT

UGR  
<19



## ORDERING INFORMATION

LUMINAIRE	FINISH	LENS	LENGTH	COLOR QUALITY <sup>1</sup>	COLOR TEMP <sup>2</sup>	CRI	INSTALL ACCS.	IP GRADE	CONTROL OPTOINS
U1008533	W White	U UGR<19 Kit	2 - 647mm	3 3-Step MacAdam Ellipse	27 - 2700K	80	TLR Trim-Less Recessed	22 IP22	D1 - DALI D2 - 0-10V D3 - On/off
	B Black	D Diffuser	4 - 1247mm		30 - 3000K	80+ CRI			
	S Silver		5 - 1547mm		35 - 3500K	90			
			8 - 2447mm	5 5-Step MacAdam Ellips	40 - 4000K	90+ CRI			
					50 - 5000K	95			
					60 - 6000K	95+ CRI			
				65 - 6500K					

1. Vivalyte's standard is 3-Step MacAdam

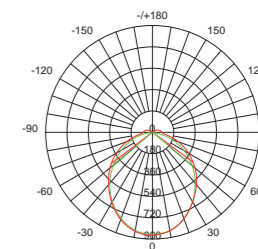
2. The listed Color Temperature is only available in CRI80+ in Epistar Chips, for 95+, 90+ in Epistar and Sumsung chips, pls. check the list on following page. For more options, pls. check with your executive sales.

# LUZ SERIES

TRIMLESS RECESSED LINEAR LIGHT

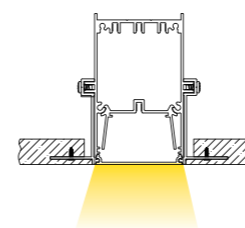
## SPECIFICATIONS

Voltage	220V-240VAC / 100V-240 VAC			
Width / Height	W100mm x H85mm With Mud-flange			
Length	647mm	1247mm	1547mm	2447mm
Power (W/m /ft)	15.6 W/pc	31.1 W/pc	37.8 W/pc	62 W/pc
Efficacy Up to	85lm/w	90lm/w	90lm/w	90lm/w
Control	Dali , 0-10V, on/off			



Down Lighting

## INSTALLATION

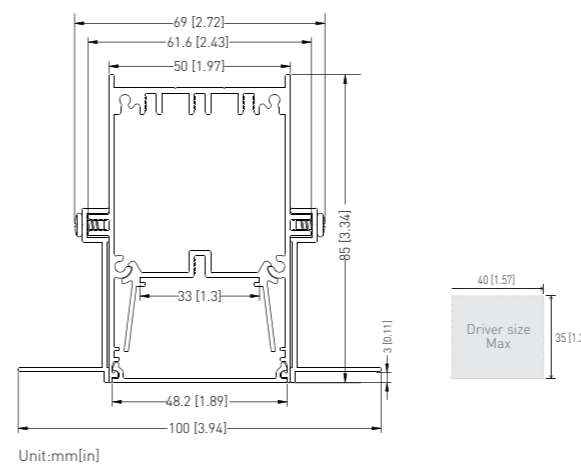


Trim-Less Recessed

## LED CHIPS AND DRIVER OPTIONS

**NICHIA** **EPSTAR** **SAMSUNG**  
**TRIDONIC** **OSRAM** **Lifud**

## DIMENSIONS



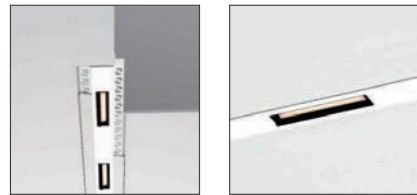
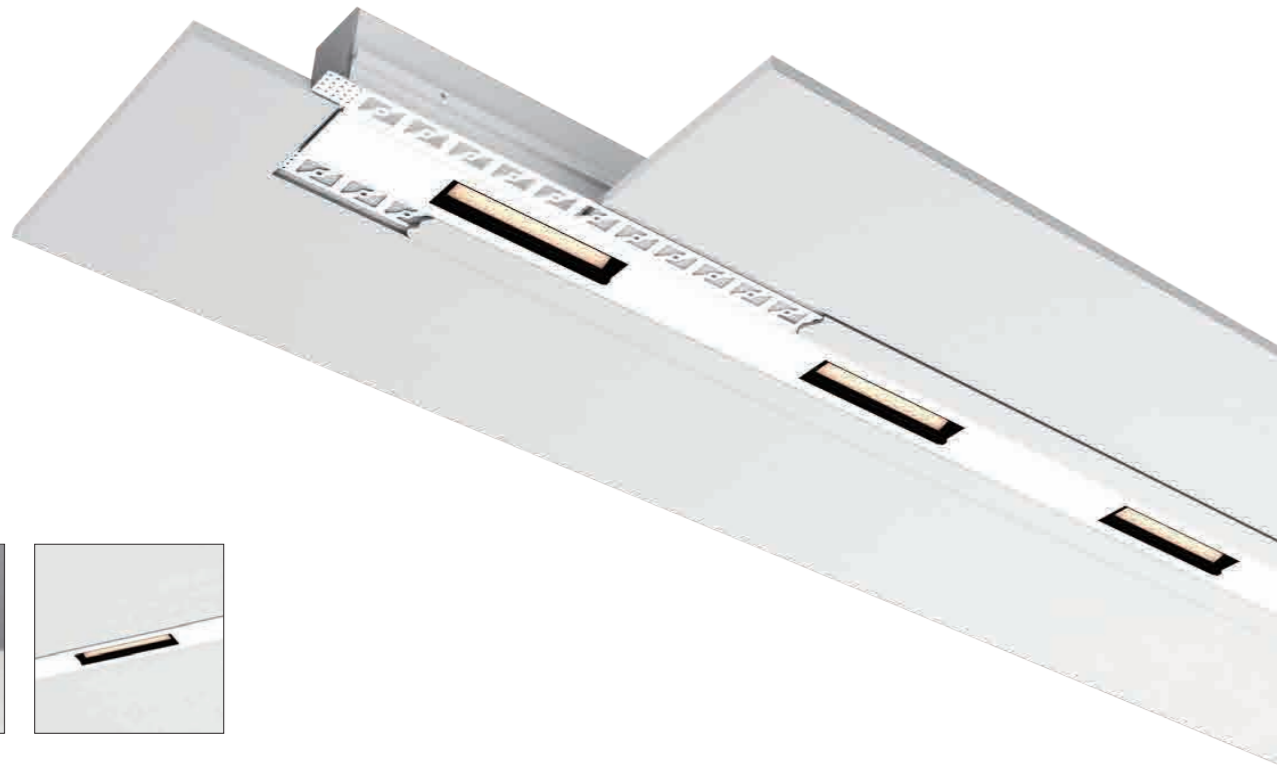
Unit:mm[in]

# LUZ SERIES

TRIMLESS RECESSED WALL WASHER LINEAR LIGHT

# LUZ SERIES

TRIMLESS RECESSED WALL WASHER LINEAR LIGHT



## SPECIFICATIONS

Voltage	220V-240VAC / 100V-240 VAC	29-34 VDC Constant Current
Width / Height	W100mm x H85mm with mudflange	
Length	1247mm with 4sets WW Kit	132.5mm
Power (W/m /ft)	23 W/pc	5.5W/pc
Efficacy Up to	70lm/w	70lm/w
Control	Dali , 0-10V, on/off	



## SPECIFICATIONS

NICHIA RA 80	Color Temperature	3000K	4000K	5000K	6500K
	Lumen / Length	1660lm / 1.2m	1840lm / 1.2m	1840lm / 1.2m	1840lm / 1.2m
NICHIA RA 90	Color Temperature	3000K	4000K	5000K	6500K
	Lumen / Length	1137lm / 1.2m	1260lm / 1.2m	1260lm / 1.2m	1260lm / 1.2m

**Note:**

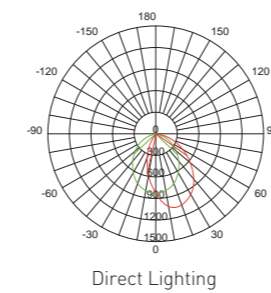
- The given data are typical values in 4sets wall washer kit. Due to tolerances of the production process and the electrical components, values for light output and electrical power can vary up to 10%.
- 15% less on luminous flux at Traic driver,DALI and 0/1-10V driver, and -10% Non-Dim driver.
- Above data based on Non-Dimmable for all luminaires.
- More customized LED and CCT available.

## ORDERING INFORMATION

LUMINAIRE	FINISH	LENS	LENGTH	COLOR QUALITY <sup>1</sup>	COLOR TEMP <sup>2</sup>	CRI	INSTALL ACCS.	IP GRADE	CONTROL OPTOINS
U1008533	W White B Black S Silver	WW Wall Washer Kit	4 - 1247mm CM -Customized	3 3-Step MacAdam Ellipse	30 - 3000K 40 - 4000K 50 - 5000K 65 - 6500K	80 80+ CRI 90 90+ CRI	TLR Trim-Less Recessed	22 IP22	D1 - DALI D2 - 0-10V D3 - On/off

1. Vivalyte's standard is 3-Step MacAdam  
 2. The listed Color Temperature is only available in CRI80+ in Nichia Chips. For more options, pls. check with your executive sales.  
 3: Nichia's CRI 90+ option's is not the general inventory, the leading time is around 4weeks for it. Please check with your executive sales in details.

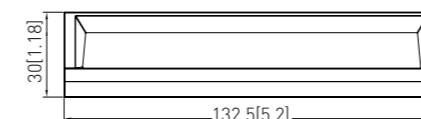
## BEAM ANGLE



## LED CHIPS AND DRIVER OPTIONS



## DIMENSIONS



Unit:mm[in]

# LUZ SERIES

TRIMLESS RECESSED LINEAR LIGHT

UGR  
<16

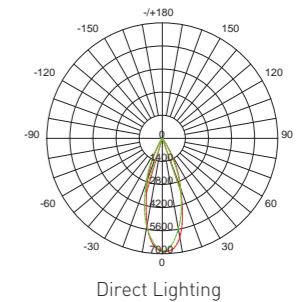


# LUZ SERIES

TRIMLESS RECESSED LINEAR LIGHT

## SPECIFICATIONS

Voltage	220V-240VAC / 100V-240 VAC	29-34 VDC Constant Current
Width / Height	W100mm x W85mm with mudflange	
Length	1247mm W 4sets louver reflector Kit	132.5mm
Power (W/m /ft)	23 W/pc	5.5 W/pc
Efficacy Up to	90lm/w	90lm/w
Control	Dali , 0-10V, on/off	



## SPECIFICATIONS

	Color Temperature	3000K	4000K	5000K	6500K
NICHIA RA 80	Lumen / Length	1717lm / 1.2m	1902lm / 1.2m	1902lm / 1.2m	1902lm / 1.2m
NICHIA RA 90	Color Temperature	3000K	4000K	5000K	6500K
	Lumen / Length	1516lm / 1.2m	1680lm / 1.2m	1680lm / 1.2m	1680lm / 1.2m

**Note:**

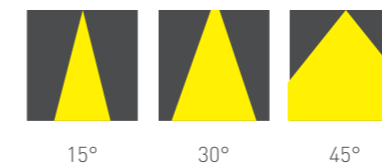
- The given data are typical values in 4sets 30Deg. Reflector Louver kit. Due to tolerances of the production process and the electrical components, values for light output and electrical power can vary up to 10%.
- 15% less on luminous flux at Traic driver, DALI and 0/1-10V driver, and -10% Non-Dim driver.
- Above data based on Non-Dimmable for all luminaires.
- More customized LED and CCT available.

## ORDERING INFORMATION

LUMINAIRE	FINISH	LENS	LENGTH	COLOR QUALITY <sup>1</sup>	COLOR TEMP <sup>2</sup>	CRI	INSTALL ACCS.	IP GRADE	CONTROL OPTOINS
U1008533	W White B Black S Silver	15 -15Deg. Reflector Louver  30 -30Deg. Reflector Louver  45 -45Deg. Reflector Louver	4 - 1247mm  CM -Customized	3 3-Step MacAdam Ellipse	30 - 3000K 40 - 4000K 50 - 5000K 65 - 6500K	80 80+ CRI  90 90+ CRI	TLR Trim-Less Recessed	22 IP22	D1 - DALI D2 - 0-10V D3 - On/off

1. Vivalyte's standard is 3-Step MacAdam  
 2. The listed Color Temperature is only available in CRI80+ in Nichia Chips. For more options, pls. check with your executive sales.  
 3: Nichia's CRI 90+ option's is not the general inventory, the leading time is around 4weeks for it. Please check with your executive sales in details.

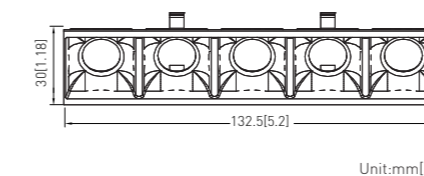
## BEAM ANGLE



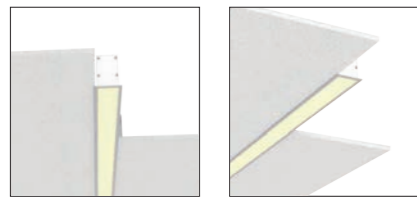
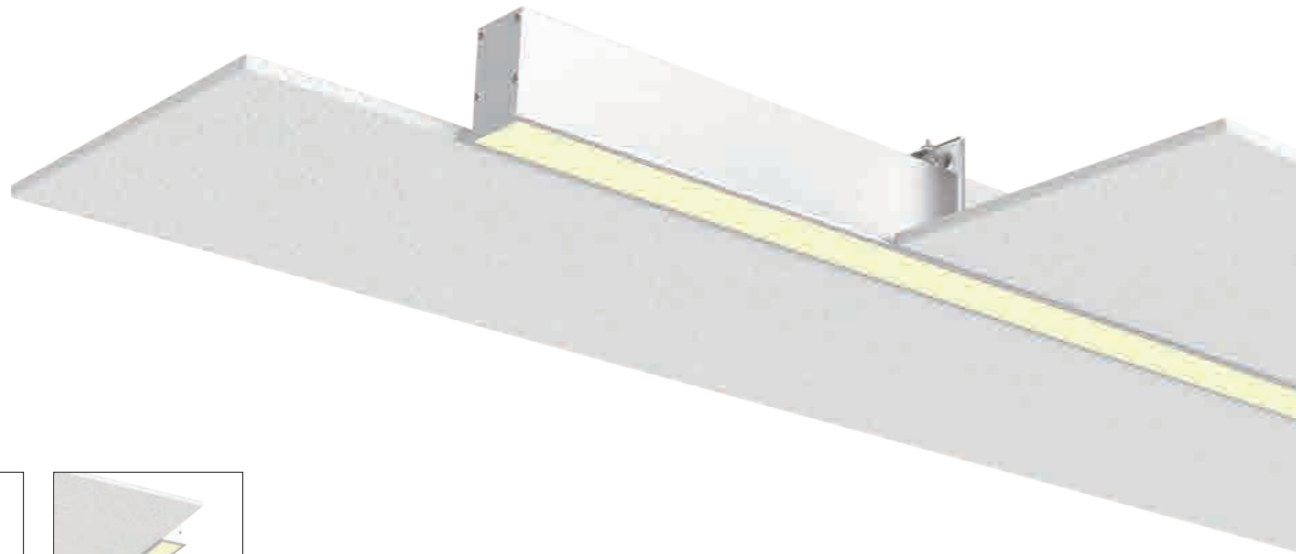
## LED CHIPS AND DRIVER OPTIONS



## DIMENSIONS



**UGR**  
**<19**



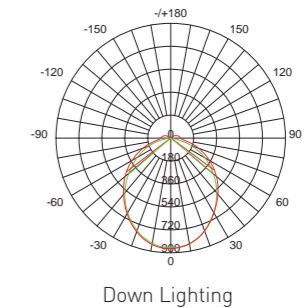
**ORDERING INFORMATION**

LUMINAIRE	FINISH	LENS	LENGTH	COLOR QUALITY <sup>1</sup>	COLOR TEMP <sup>2</sup>	CRI	INSTALL ACCS.	IP GRADE	CONTROL OPTOINS
U668533	W White	U UGR<19 Kit	2 - 622mm	3 3-Step MacAdam Ellipse	27 - 2700K	80 80+ CRI	TR Trimmed Recessed	22 IP22	D1 - DALI D2 - 0-10V D3 - On/off
	B Black	D Diffuser	4 - 1222mm		30 - 3000K				
	S Silver		5 - 1522mm	5 5-Step MacAdam Ellips	35 - 3500K	90 90+ CRI			
			8 - 2422mm		40 - 4000K	95 95+ CRI			
					50 - 5000K				
					60 - 6000K				
					65 - 6500K				

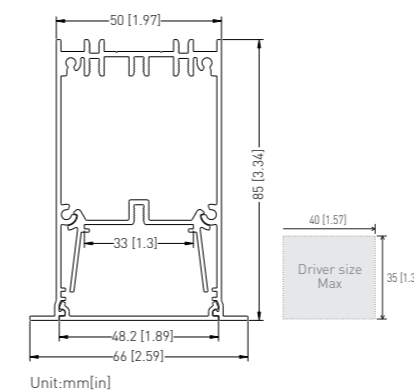
1. Vivalyte's standard is 3-Step MacAdam  
2. The listed Color Temperature is only available in CRI80+ in Epistar Chips, for 95+, 90+ in Epistar and Sumsung chips, pls. check the list on following page. For more options, pls. check with your executive sales.

**SPECIFICATIONS**

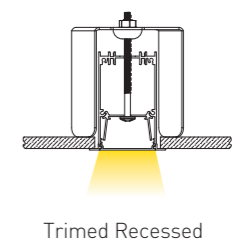
Voltage	220V-240 VAC / 110-240VAC			
Width / Height	W66mm x H85mm			
Length	622mm	1222mm	1522mm	2422mm
Power (W/m /ft)	15.6 W/pc	31.1 W/pc	37.8 W/pc	62 W/pc
Efficacy Up to	85lm/w	90lm/w	90lm/w	90lm/w
Control	Dali , 0-10V, on/off			



**DIMENSIONS**



**INSTALLATION**



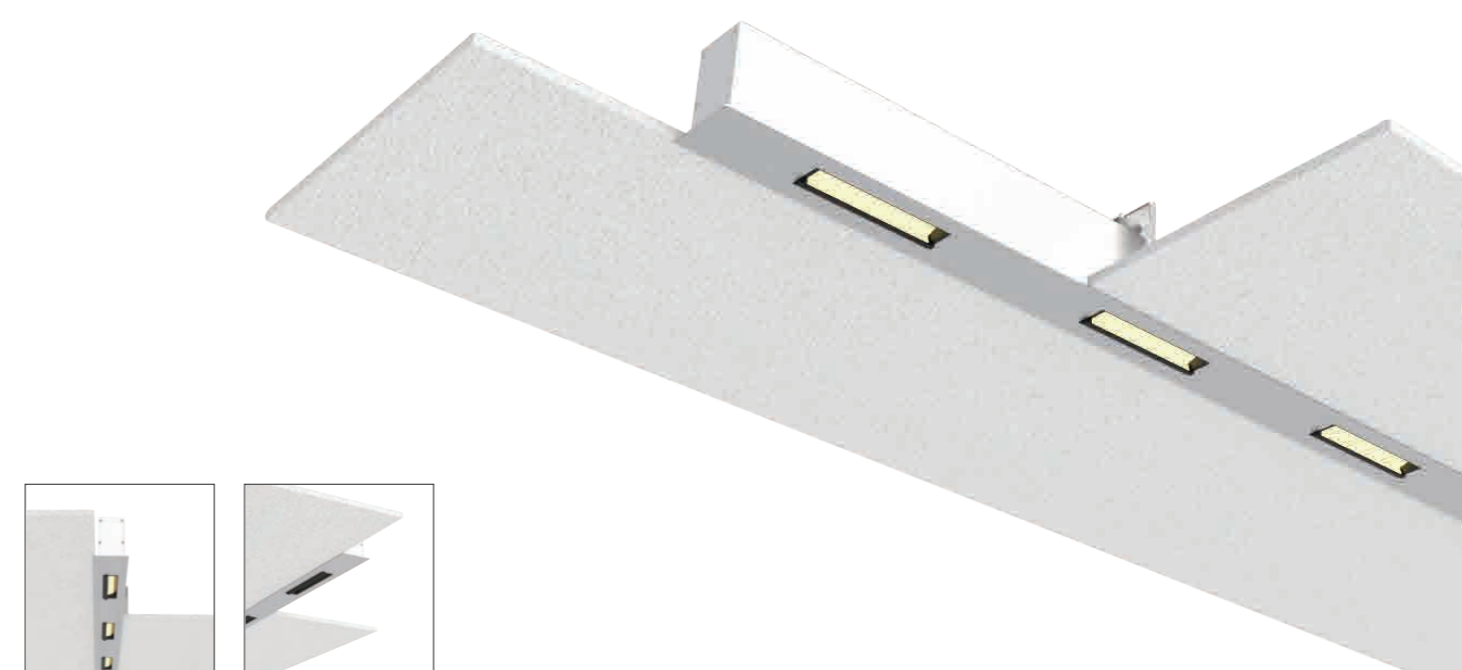
## SPECIFICATIONS

	Color Temperature		Lumen / Length		
RA 80	2700K	1204lm / 0.6m	2400lm / 1.2m	2917lm / 1.5m	4784lm / 2.4m
	3000K	1267lm / 0.6m	2526lm / 1.2m	3070lm / 1.5m	5036lm / 2.4m
	3500K	1334lm / 0.6m	2659lm / 1.2m	3232lm / 1.5m	5301lm / 2.4m
	4000K	1404lm / 0.6m	2799lm / 1.2m	3402lm / 1.5m	5580lm / 2.4m
	5000K	1404lm / 0.6m	2799lm / 1.2m	3402lm / 1.5m	5580lm / 2.4m
	6000K	1404lm / 0.6m	2799lm / 1.2m	3402lm / 1.5m	5580lm / 2.4m
	6500K	1404lm / 0.6m	2799lm / 1.2m	3402lm / 1.5m	5580lm / 2.4m
RA 90	2700K	963lm / 0.6m	1920lm / 1.2m	2333lm / 1.5m	3827lm / 2.4m
	3000K	1014lm / 0.6m	2021lm / 1.2m	2456lm / 1.5m	4029lm / 2.4m
	3500K	1067lm / 0.6m	2127lm / 1.2m	2586lm / 1.5m	4241lm / 2.4m
	4000K	1123lm / 0.6m	2239lm / 1.2m	2722lm / 1.5m	4464lm / 2.4m
	5000K	1123lm / 0.6m	2239lm / 1.2m	2722lm / 1.5m	4464lm / 2.4m
	5500K	1123lm / 0.6m	2239lm / 1.2m	2722lm / 1.5m	4464lm / 2.4m
	6500K	1123lm / 0.6m	2239lm / 1.2m	2722lm / 1.5m	4464lm / 2.4m
RA 95	2700K	867lm / 0.6m	1728lm / 1.2m	2100lm / 1.5m	3445lm / 2.4m
	3000K	912lm / 0.6m	1819lm / 1.2m	2211lm / 1.5m	3626lm / 2.4m
	3500K	960lm / 0.6m	1915lm / 1.2m	2327lm / 1.5m	3817lm / 2.4m
	4000K	1010lm / 0.6m	2015lm / 1.2m	2449lm / 1.5m	4017lm / 2.4m
	6500K	1010lm / 0.6m	2015lm / 1.2m	2449lm / 1.5m	4017lm / 2.4m
SAMSUNG RA 80	3000K	1200lm / 0.6m	2393lm / 1.2m	2909lm / 1.5m	4771lm / 2.4m
	4000K	1263lm / 0.6m	2519lm / 1.2m	3061lm / 1.5m	5022lm / 2.4m
	6500K	1263lm / 0.6m	2519lm / 1.2m	3061lm / 1.5m	5022lm / 2.4m

**Note:**

- The given data are typical values in PC Diffuser. Due to tolerances of the production process and the electrical components, values for light output and electrical power can vary up to 10%.
- 15% less on luminous flux at Traic driver, DALI and 0/1-10V driver, and -10% Non-Dim driver.
- 10% less on UGR<19 version.
- Above data based on Non-Dimmable for all luminaires.
- More customized LED and CCT available.
- LM-80, IES TM-30-15 testing report available for led.

## LED CHIPS AND DRIVER OPTIONS



## ORDERING INFORMATION

LUMINAIRE	FINISH	LENS	LENGTH	COLOR QUALITY <sup>1</sup>	COLOR TEMP <sup>2</sup>	CRI	INSTALL ACCS.	IP GRADE	CONTROL OPTOINS
U668533	W White  B Black  S Silver	WW Wall Washer Kit	4 - 1222mm  CM -Customized	3 3-Step MacAdam Ellipse	30 - 3000K  40 - 4000K  50 - 5000K  65 - 6500K	80 80+ CRI  90 90+ CRI	TR Trimmed Recessed	22 IP22	D1 - DALI  D2 - 0-10V  D3 - On/off

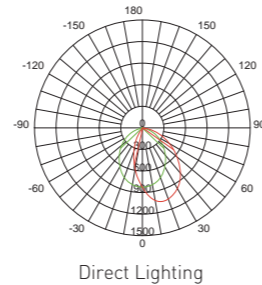
1. Vivalyte's standard is 3-Step MacAdam  
 2. The listed Color Temperature is only available in CRI80+ in Nichia Chips. For more options, pls. check with your executive sales.  
 3: Nichia's CRI 90+ option's is not the general inventory, the leading time is around 4weeks for it. Please check with your executive sales in details.

# LUZ SERIES

TRIMED RECESSED WALL WASHER LINEAR LIGHT

## SPECIFICATIONS

Voltage	220V-240 VAC / 110-240VAC	29-34 VDC Constant Current
Width / Height	W66mm x W85mm with trim	
Length	1222mm with 4sets WW Kit	132.5mm
Power (W/m /ft)	23 W/pc	5.5 W/pc
Efficacy Up to	70lm/w	70lm/w
Control	Dali , 0-10V, on/off	



## SPECIFICATIONS

	Color Temperature	3000K	4000K	5000K	6500K
NICHIA RA 80	Lumen / Length	1661lm / 1.2m	1840lm / 1.2m	1840lm / 1.2m	1840lm / 1.2m
NICHIA RA 90	Lumen / Length	1137lm / 1.2m	1260lm / 1.2m	1260lm / 1.2m	1260lm / 1.2m

**Note:**

- The given data are typical values in 4sets wall washer kit. Due to tolerances of the production process and the electrical components, values for light output and electrical power can vary up to 10%.
- 15% less on luminous flux at Traic driver,DALI and 0/1-10V driver, and -10% Non-Dim driver.
- Above data based on Non-Dimmable for all luminaires.
- More customized LED and CCT available.

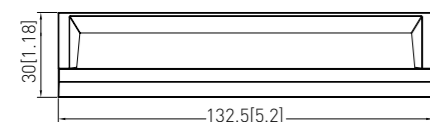
## BEAM ANGLE



## LED CHIPS AND DRIVER OPTIONS



## DIMENSIONS

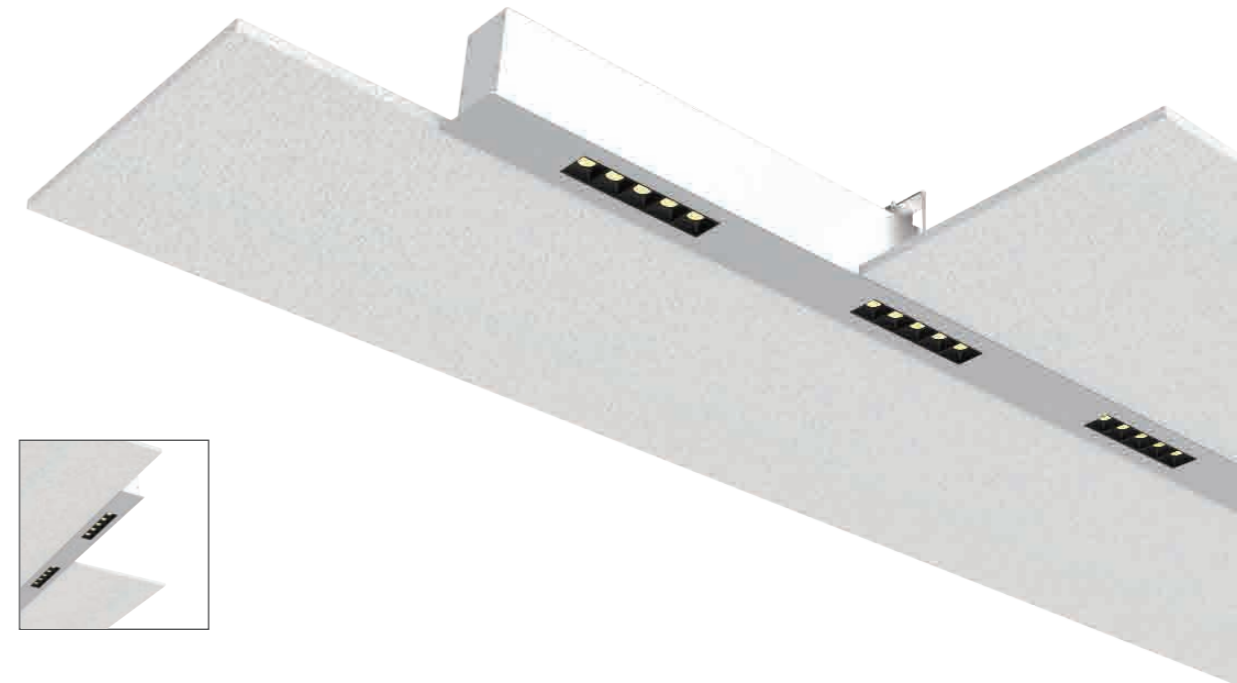


Unit:mm[in]

# LUZ SERIES

TRIMED RECESSED LINEAR LIGHT

UGR <16



## ORDERING INFORMATION

LUMINAIRE	FINISH	LENS	LENGTH	COLOR QUALITY <sup>1</sup>	COLOR TEMP <sup>2</sup>	CRI	INSTALL ACCS.	IP GRADE	CONTROL OPTOINS
U668533	W White	15 -15Deg. Reflector Louver	4 - 1222mm  CM -Customized	3 3-Step MacAdam Ellipse	30 - 3000K	80 80+ CRI	TR Trimed Recessed	22 IP22	D1 - DALI D2 - 0-10V D3 - On/off
	B Black	30 -30Deg. Reflector Louver	40 - 4000K		90 90+ CRI				
	S Silver	45 -45Deg. Reflector Louver	50 - 5000K						
			65 - 6500K						

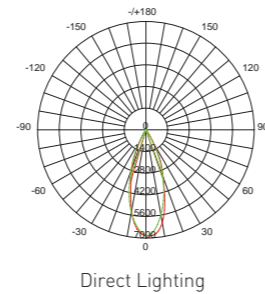
1. Vivalyte's standard is 3-Step MacAdam
2. The listed Color Temperature is only available in CRI80+ in Nichia Chips. For more options, pls. check with your executive sales.
- 3: Nichia's CRI 90+ option's is not the general inventory, the leading time is around 4weeks for it. Please check with your executive sales in details.

# LUZ SERIES

TRIMED RECESSED LINEAR LIGHT

## SPECIFICATIONS

Voltage	220V-240 VAC / 110-240VAC	29-34 VDC Constant Current
Width / Height	W66mm x W85mm with trim	
Length	1222mm with 4sets Reflector Kit	132.5mm
Power (W/m /ft)	23 W/pc	5.5 W/pc
Efficacy Up to	90lm/w	90lm/w
Control	Dali , 0-10V, on/off	



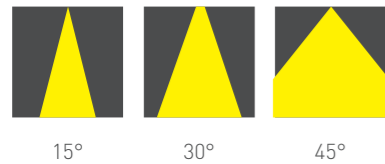
## SPECIFICATIONS

NICHIA RA 80	Color Temperature	3000K	4000K	5000K	6500K
	Lumen / Length	1717lm / 1.2m	1902lm / 1.2m	1902lm / 1.2m	1902lm / 1.2m
NICHIA RA 90	Color Temperature	3000K	4000K	5000K	6500K
	Lumen / Length	1516lm / 1.2m	1680lm / 1.2m	1680lm / 1.2m	1680lm / 1.2m

**Note:**

- The given data are typical values in 4sets 30Deg. Reflector Louver kit. Due to tolerances of the production process and the electrical components, values for light output and electrical power can vary up to 10%.
- 15% less on luminous flux at Traic driver,DALI and 0/1-10V driver, and -10% Non-Dim driver.
- Above data based on Non-Dimmable for all luminaires.
- More customized LED and CCT available.

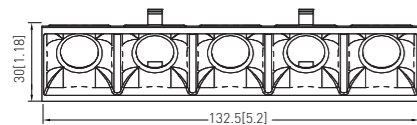
## SPECIFICATIONS



## LED CHIPS AND DRIVER OPTIONS



## DIMENSIONS



Unit:mm[in]



# HONG SERIES

## DIRECT&INDIRECT PENDANT LINEAR LIGHT

HONG P / M / W Direct&Indirect is a linear LED lighting fixture that features direct and indirect lighting. Fixture features 95+, 90+ or 80+ LM80 LEDs. White color from 2700K to 6500K. Dimmable driver available in Dali, 0/1-10V type, also controllable options in DMX, PWM and 2.4G Static,Tunable white, RGBW solution available. The fixture is designed in multiple installation in Sus-pendant , Wall / Ceiling Mounted / Trimless / Trimmed Recessed. Fixture lengths are available in 2ft,4ft,5ft and 8ft, and custom lengths are available in 19.6ft.

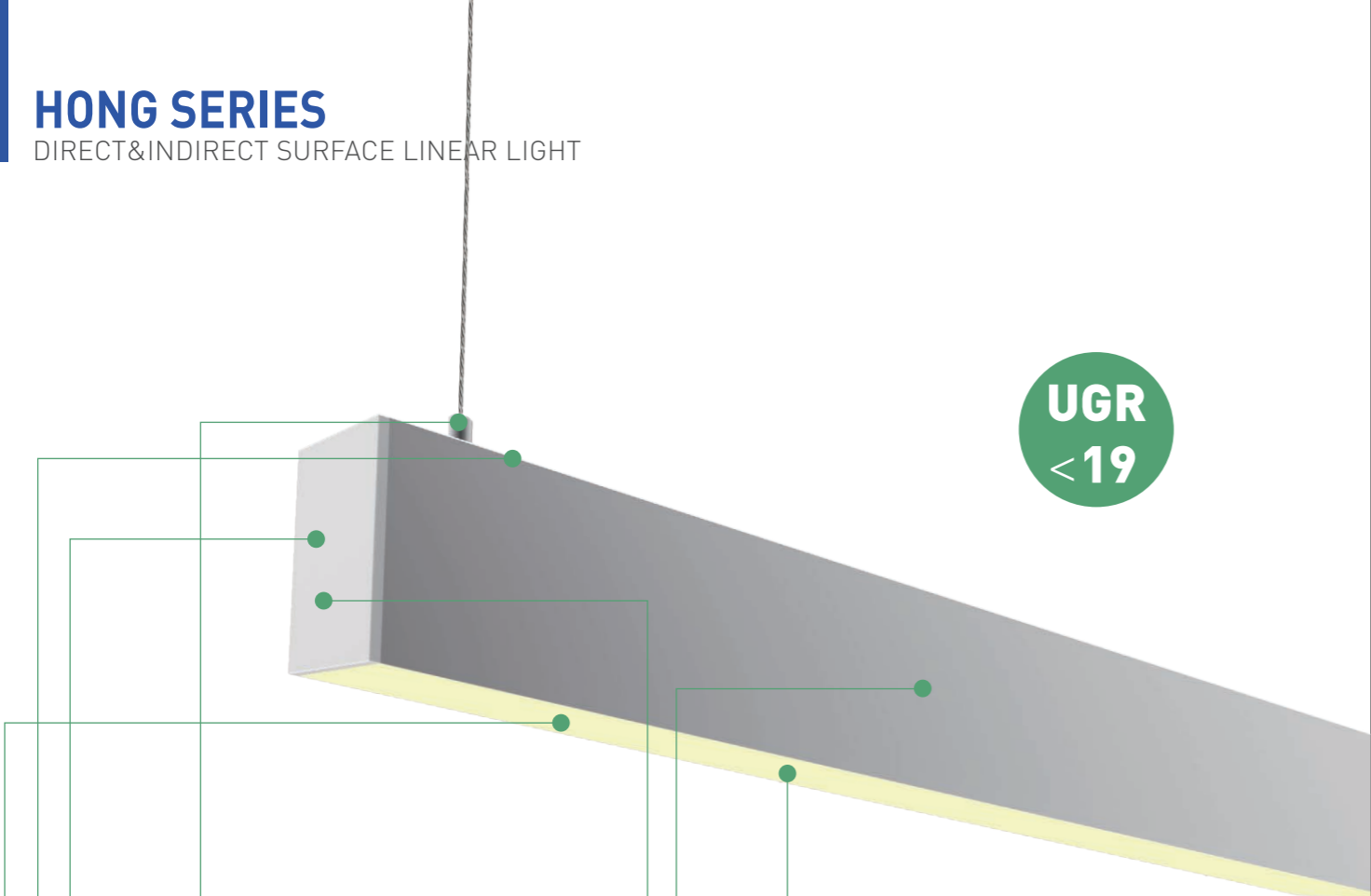
**Finish**

Aluminum clear matt anodized  
White / Black powder coating  
Customized RAL color available

**Applications**

Indoor - Office, Commercial, Educational Instituions, Conference Rooms and many other workspaces.



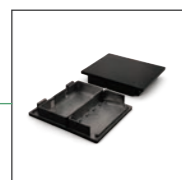


UGR  
< 19



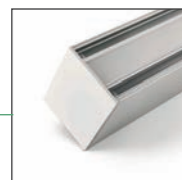
### Multiple Installation

- Pendant
- Wall Mounted
- Ceiling Mounted



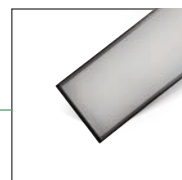
### Die-casting Endcaps

Anti-light leaking design



### Indirect Light

- Clear Lens
- Diffuser Lens



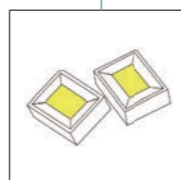
### Optical options

- Anti-Glare Film, UGR<19



### Sensor Optional

Microwave Sensor  
IR Sensor  
Timer



### High Quality Lighting

LM-80 Tested LED  
ONE-BIN only  
High R9, R15 value



### Most comparable driver space

up to W2.4 x H1.38in



### 6063 Aluminum

Silver / Black clear matt anodize  
White/Black matt powder coating  
Customized RAL color available

## ORDERING INFORMATION

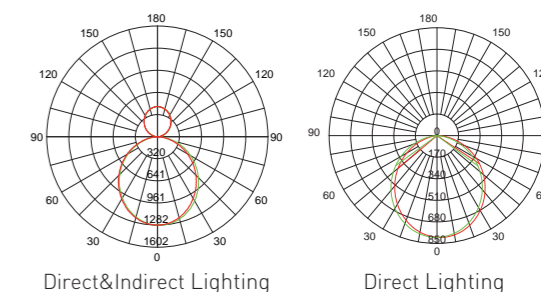
LUMINAIRE	FINISH	LENS	LENGTH	COLOR QUALITY <sup>1</sup>	COLOR TEMP <sup>2</sup>	CRI	INSTALL ACCS.	IP GRADE	CONTROL OPTOINS
H7590 Direct & Indirect Linear Light	W White	U UGR<19 Kit	2 - 608mm 4 - 1208mm	3 3-Step MacAdam Ellipse	27 - 2700K 30 - 3000K	80 80+ CRI	P Aircraft cable pendant	22 IP22	D1 - DALI D2 - 0-10V D3 - On/off
U7590 Direct Linear Light	B Black S Silver	D Diffuser	5 - 1508mm 8 - 2408mm	5 5-Step MacAdam Ellips	35 - 3500K 40 - 4000K 50 - 5000K 60 - 6000K 65 - 6500K	90 90+ CRI 95 95+ CRI	W Wall Mounted M Ceiling Mounted		

1. Vivalyte's standard is 3-Step MacAdam

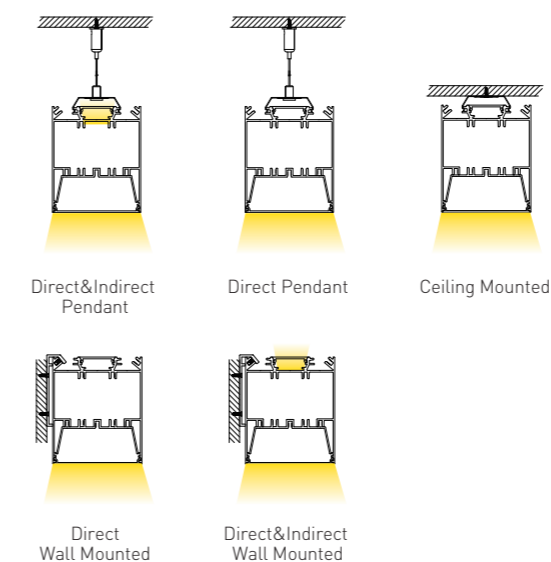
2. The listed Color Temperature is only available in CRI80+ in Epistar Chips, for 95+, 90+ in Epistar and Sumsung chips, pls. check the list on following page. For more options, pls. check with your executive sales.

## SPECIFICATION

Voltage	220-240 VAC / 100V-240 VAC			
Width / Height	75mm x 90mm			
Length	608mm	1208mm	1508mm	2408mm
Power (W/m /ft)	28 W/pc	56 W/pc	64 W/pc	112 W/pc
Efficacy Up to	85lm/w	90lm/w	90lm/w	90lm/w
Control	Dali , 0-10V, on/off			



## INSTALLATION



## ACCESSORIES



# HONG SERIES

DIRECT&INDIRECT SURFACE LINEAR LIGHT

# HONG SERIES

TRIMED RECESSED LINEAR LIGHT

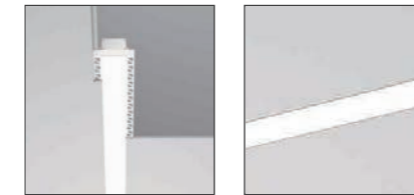
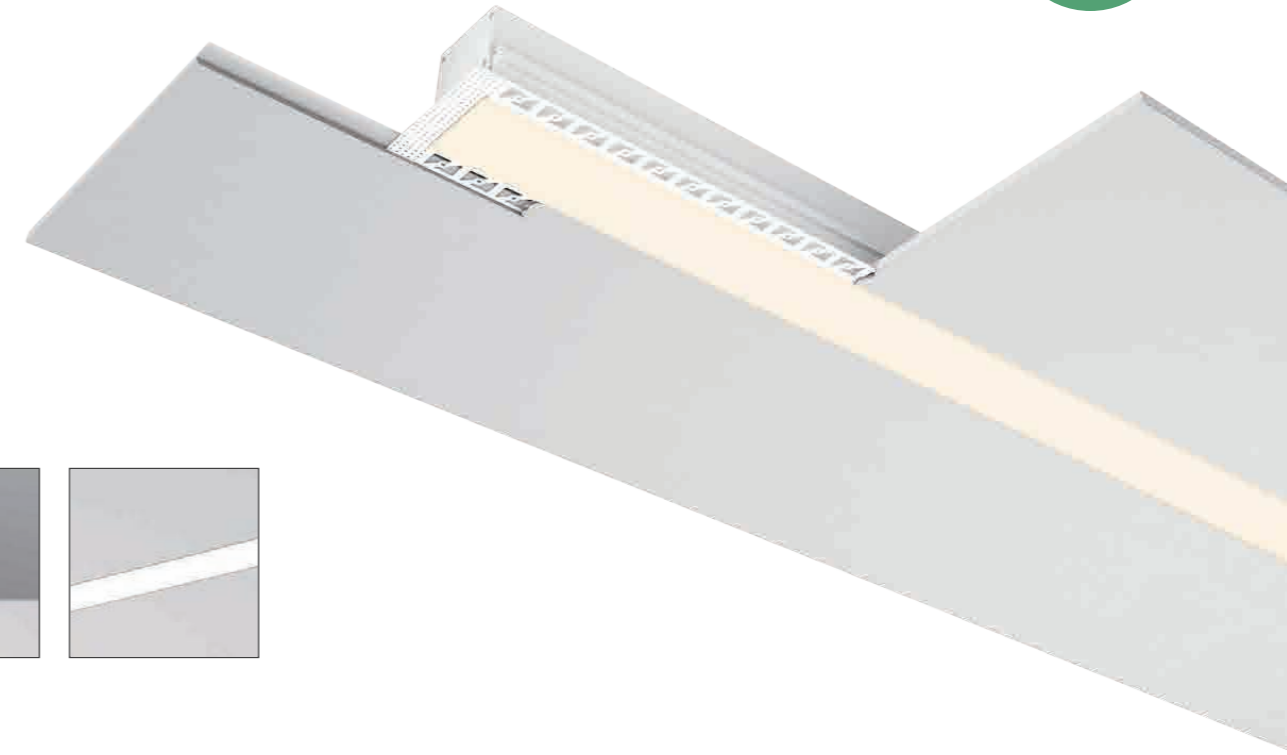
UGR  
<19

## SPECIFICATIONS

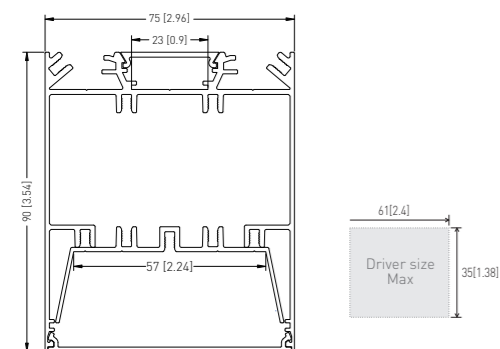
	Color Temperature	Lumen / Length			
RA 80	2700K	2161lm / 0.6m	4321lm / 1.2m	4938lm / 1.5m	8642lm / 2.4m
	3000K	2274lm / 0.6m	4549lm / 1.2m	5198lm / 1.5m	9097lm / 2.4m
	3500K	2394lm / 0.6m	4788lm / 1.2m	5472lm / 1.5m	9576lm / 2.4m
	4000K	2520lm / 0.6m	5040lm / 1.2m	5760lm / 1.5m	10080lm / 2.4m
	5000K	2520lm / 0.6m	5040lm / 1.2m	5760lm / 1.5m	10080lm / 2.4m
	6000K	2520lm / 0.6m	5040lm / 1.2m	5760lm / 1.5m	10080lm / 2.4m
	6500K	2520lm / 0.6m	5040lm / 1.2m	5760lm / 1.5m	10080lm / 2.4m
RA 90	2700K	1728lm / 0.6m	3457lm / 1.2m	3951lm / 1.5m	6914lm / 2.4m
	3000K	1819lm / 0.6m	3639lm / 1.2m	4159lm / 1.5m	7278lm / 2.4m
	3500K	1915lm / 0.6m	3830lm / 1.2m	4378lm / 1.5m	7661lm / 2.4m
	4000K	2016lm / 0.6m	4032lm / 1.2m	4608lm / 1.5m	8064lm / 2.4m
	5000K	2016lm / 0.6m	4032lm / 1.2m	4608lm / 1.5m	8064lm / 2.4m
	6000K	2016lm / 0.6m	4032lm / 1.2m	4608lm / 1.5m	8064lm / 2.4m
	6500K	2016lm / 0.6m	4032lm / 1.2m	4608lm / 1.5m	8064lm / 2.4m
RA 95	2700K	1555lm / 0.6m	3110lm / 1.2m	3556lm / 1.5m	6222lm / 2.4m
	3000K	1637lm / 0.6m	3274lm / 1.2m	3743lm / 1.5m	6449lm / 2.4m
	3500K	1723lm / 0.6m	3447lm / 1.2m	3940lm / 1.5m	6894lm / 2.4m
	4000K	1814lm / 0.6m	3628lm / 1.2m	4147lm / 1.5m	7257lm / 2.4m
	6500K	1814lm / 0.6m	3628lm / 1.2m	4147lm / 1.5m	7257lm / 2.4m
SAMSUNG RA 80	3000K	2047lm / 0.6m	4094lm / 1.2m	4679lm / 1.5m	8187lm / 2.4m
	4000K	2268lm / 0.6m	4536lm / 1.2m	5184lm / 1.5m	9072lm / 2.4m
	6500K	2268lm / 0.6m	4536lm / 1.2m	5184lm / 1.5m	9072lm / 2.4m

**Note:**

- The given data are typical values in PC Diffuser. Due to tolerances of the production process and the electrical components, values for light output and electrical power can vary up to 10%.
- 15% less on luminous flux at Traic driver, DALI and 0/1-10V driver, and -10% Non-Dim driver.
- 10% less on UGR<19 version.
- Above data based on Non-Dimmable for all luminaires.
- More customized LED and CCT available.
- LM-80, IES TM-30-15 testing report available for led.



## DIMENSIONS



Unit:mm[in]

## LED CHIPS AND DRIVER OPTIONS

**NICHIA** **EPISTAR** **SAMSUNG**  
**TRIDONIC** **OSRAM** **LIFUD**



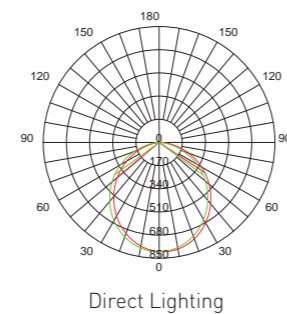
**ORDERING INFORMATION**

LUMINAIRE	FINISH	LENS	LENGTH	COLOR QUALITY <sup>1</sup>	COLOR TEMP <sup>2</sup>	CRI	INSTALL ACCS.	IP GRADE	CONTROL OPTOINS
U1259057	W White	U UGR<19 Kit	2 - 647mm	3	27 - 2700K	80	TR	22 IP22	D1 - DALI D2 - 0-10V D3 - On/off
	B Black	D Diffuser	4 - 1247mm	3-Step MacAdam Ellipse	30 - 3000K	80+ CRI	Trimed Recessed Installation		
			5 - 1547mm		35 - 3500K	90			
			8 - 2447mm	5	40 - 4000K	90+ CRI			
				5-Step MacAdam Ellips	50 - 5000K	95			
					60 - 6000K	95+ CRI			
	S Silver				65 - 6500K				

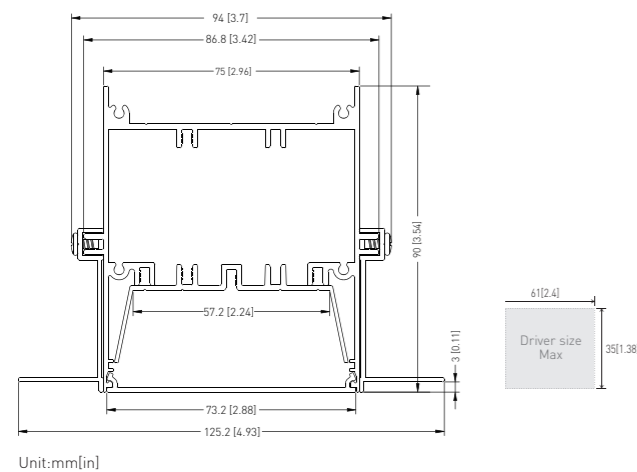
1. Vivalyte's standard is 3-Step MacAdam  
 2. The listed Color Temperature is only available in CRI80+ in Epistar Chips, for 95+, 90+ in Epistar and Sumsung chips, pls. check the list on following page. For more options, pls. check with your executive sales.

**SPECIFICATION**

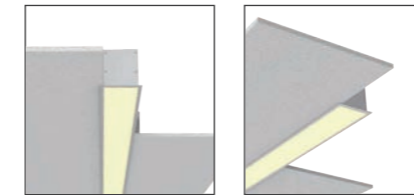
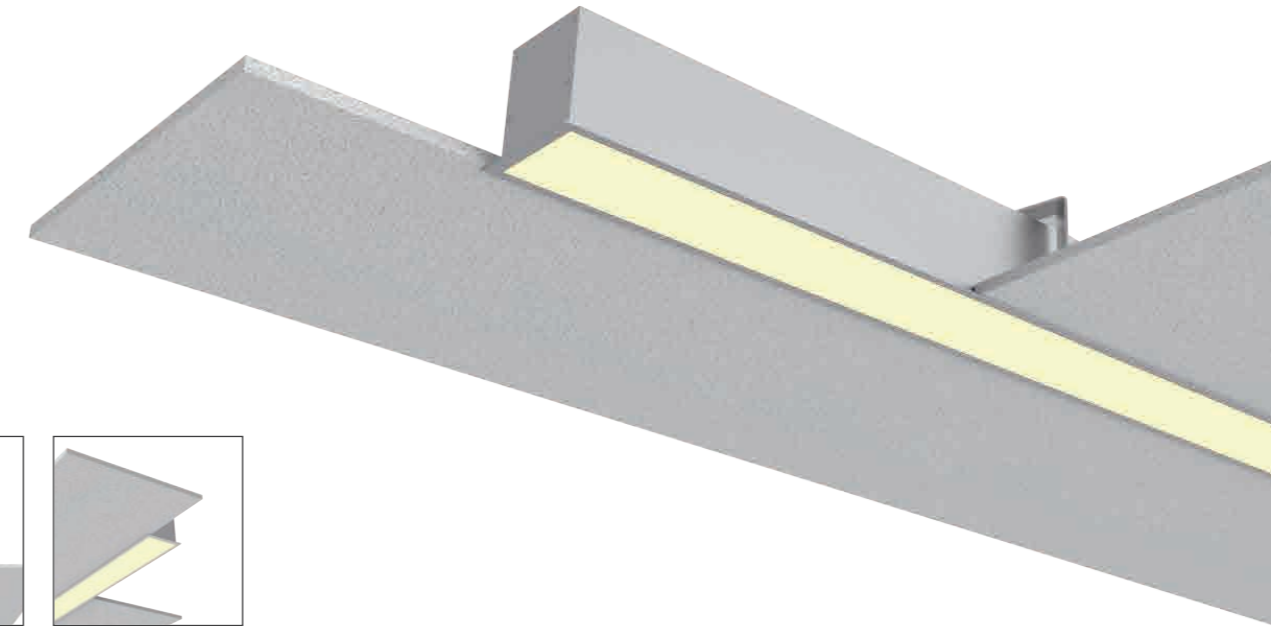
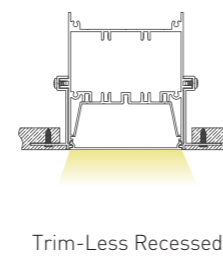
Voltage	220-240 VAC / 100V-240 VAC			
Width / Height	125mm x 90mm			
Length	647mm	1247mm	1547mm	2447mm
Power (W/m /ft)	28 W/pc	56 W/pc	64 W/pc	112 W/pc
Efficacy Up to	85lm/w	90lm/w	90lm/w	90lm/w
Control	Dali , 0-10V, on/off			



**DIMENSIONS**



**INSTALLATION**



# HONG SERIES

TRIMED RECESSED LINEAR LIGHT

## ORDERING INFORMATION

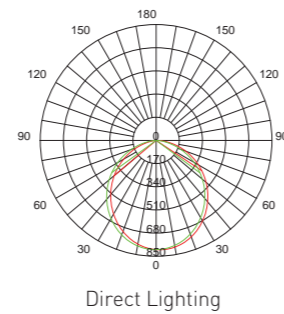
LUMINAIRE	FINISH	LENS	LENGTH	COLOR QUALITY <sup>1</sup>	COLOR TEMP <sup>2</sup>	CRI	INSTALL ACCS.	IP GRADE	CONTROL OPTOINS
U919057	W White	U UGR<19 Kit	2 - 622mm	3 3-Step MacAdam Ellipse	27 - 2700K	80 80+ CRI	TR Trimed Recessed Installation	22 IP22	D1 - DALI D2 - 0-10V D3 - On/off
	B Black	D Diffuser	4 - 1222mm		30 - 3000K				
	S Silver		5 - 1522mm		35 - 3500K				
			8 - 2422mm	5 5-Step MacAdam Ellips	40 - 4000K	90 90+ CRI			
				50 - 5000K	95 95+ CRI				
				60 - 6000K					
			65 - 6500K						

1. Vivalyte's standard is 3-Step MacAdam

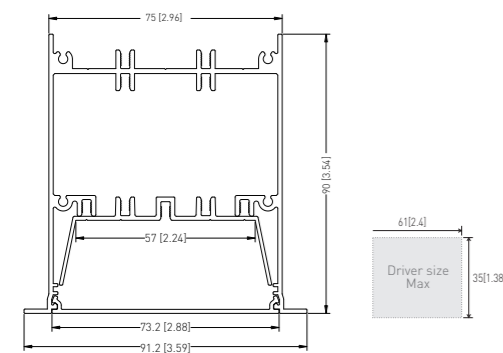
2. The listed Color Temperature is only available in CRI80+ in Epistar Chips, for 95+, 90+ in Epistar and Sumsung chips, pls. check the list on following page. For more options, pls. check with your executive sales.

## SPECIFICATION

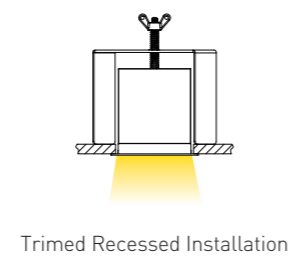
Voltage	220-240 VAC / 100V-240 VAC			
Width / Height	91mm x 90mm			
Length	622mm	1222mm	1522mm	2422mm
Power (W/m /ft)	28 W/pc	56 W/pc	64 W/pc	112 W/pc
Efficacy Up to	85lm/w	90lm/w	90lm/w	90lm/w
Control	Dali , 0-10V, on/off			



## DIMENSIONS



## INSTALLATION



# HILA SERIES

## DIRECT&INDRECT IP44 LINEAR LIGHT

HALA is a engineering designed for wet places in IP44. It features direct and indirect lighting.

Fixture features 95+, 90+ or 80+ LM80 LEDs. White color from 2700K to 6500K.

Dimmable driver available in Dali, 0/1-10V type, also controable options in DMX, PWM and 2.4G Static,Tunable white, RGBW solution available.

Fixture lengths are available in 2ft,4ft,5ft and 8ft, and custom lengths are available.

### Finish

Aluminum clear matt anodized  
White / Black powder coating  
Customized RAL color available

### Applications

Indoor - Office, Educational Instituions, Conference Rooms  
and many other workspaces.

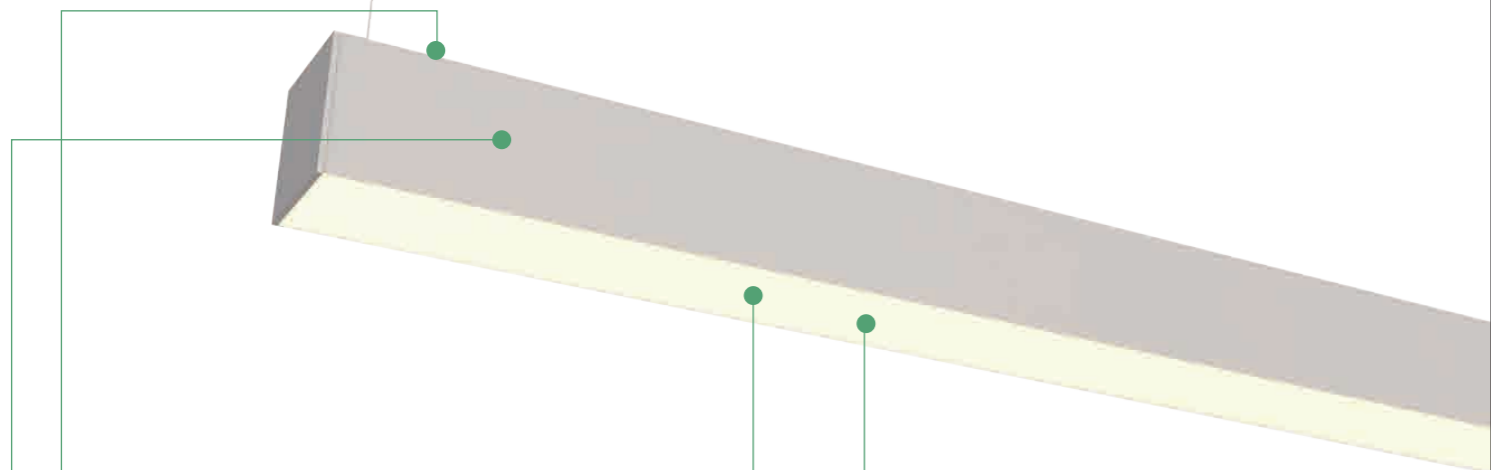
Outdoor - IP44 wet places in open spaces, cooridor, washroom

# HILA SERIES

DIRECT&INDIRECT SURFACE LINEAR LIGHT

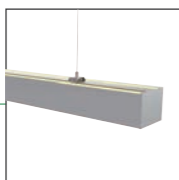
# HILA SERIES

DIRECT&INDIRECT SURFACE LINEAR LIGHT



### Sensor Optional

Microwave Sensor  
IR Sensor  
Timer



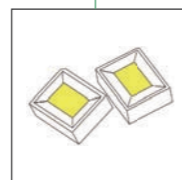
### Indirect Light

- Optical TIR Lens
- Diffuser Lens



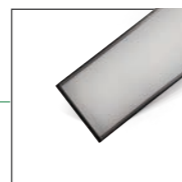
### 6063 Aluminum

Silver / Black clear matt anodize  
White/Black matt powder coating  
Customized RAL color available



### High Quality Lighting

LM-80 Tested LED  
ONE-BIN only  
High R9, R15 value



### Optical options

- Polycarbonate Lens

## ORDERING INFORMATION

LUMINAIRE	FINISH	LENS	LENGTH	COLOR QUALITY <sup>1</sup>	COLOR TEMP <sup>2</sup>	CRI	INSTALL ACCS.	IP GRADE	CONTROL OPTOINS
H10096 Direct & Indirect Linear Light	W White	D Diffuser	2 - 608mm	3 3-Step MacAdam Ellipse	27 - 2700K	80 80+ CRI	P Aircraft cable pendant	22 IP22	D1 - DALI D2 - 0-10V D3 - On/off
	B Black	O Optical TIR Lens on top lighting	4 - 1208mm		30 - 3000K				
U10096 Direct Linear Light	S Silver		5 - 1508mm	5 5-Step MacAdam Ellips	35 - 3500K	90 90+ CRI	M Ceiling Mounted		
			8 - 2408mm		40 - 4000K				
					50 - 5000K				
					60 - 6000K				
					65 - 6500K				

1. Vivalyte's standard is 3-Step MacAdam

2. The listed Color Temperature is only available in CRI80+ in Epistar Chips, for 95+, 90+ in Epistar and Sumsung chips, pls. check the list on following page. For more options, pls. check with your executive sales.

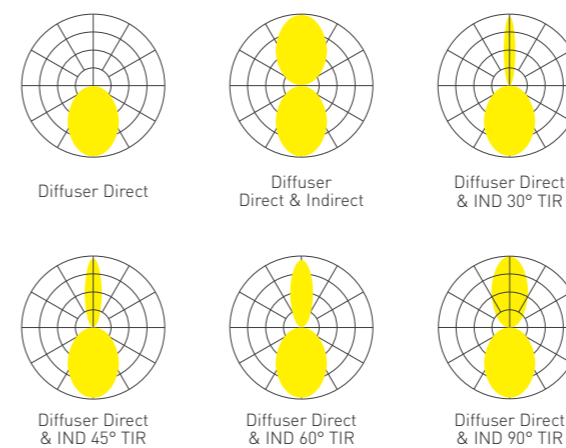
## SPECIFICATION

Voltage	220-240 VAC / 100V-240 VAC			
Width / Height	100mm x 96mm			
Length	608mm	1208mm	1508mm	2408mm
Power (W/m /ft)	31 W/pc	62 W/pc	64 W/pc	124 W/pc
Efficacy Up to	100lm/w	100lm/w	100lm/w	100lm/w
Control	Dali , 0-10V, on/off			

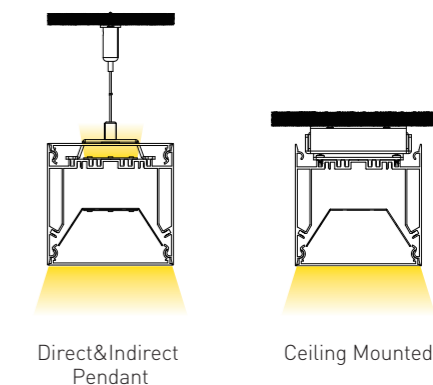
## LED CHIPS AND DRIVER OPTIONS



## BEAM ANGLE



## INSTALLATION



# HILA SERIES

DIRECT&INDIRECT SURFACE LINEAR LIGHT

## SPECIFICATIONS

		Color Temperature		Lumen / Length			
U10096 RA 80	2700K			2260lm / 0.6m	4520lm / 1.2m	5686lm / 1.5m	9040lm / 2.4m
	3000K			2511lm / 0.6m	5022lm / 1.2m	6318lm / 1.5m	10044lm / 2.4m
	4000K			2790lm / 0.6m	5580lm / 1.2m	7020lm / 1.5m	11160lm / 2.4m
	5000K			2790lm / 0.6m	5580lm / 1.2m	7020lm / 1.5m	11160lm / 2.4m
	6500K			2790lm / 0.6m	5580lm / 1.2m	7020lm / 1.5m	11160lm / 2.4m
H10096 RA 80 <small>(Direct: PC Diffuser, Indirect: PC Diffuser)</small>	2700K	up		1381lm / 0.6m	2762lm / 1.2m	3475lm / 1.5m	5524lm / 2.4m
		down		1130lm / 0.6m	2260lm / 1.2m	2843lm / 1.5m	5022lm / 2.4m
	3000K	up		1535lm / 0.6m	3069lm / 1.2m	3861lm / 1.5m	6138lm / 2.4m
		down		1256lm / 0.6m	2511lm / 1.2m	3159lm / 1.5m	5580lm / 2.4m
	4000K	up		1705lm / 0.6m	3410lm / 1.2m	4290lm / 1.5m	6820lm / 2.4m
		down		1395lm / 0.6m	2790lm / 1.2m	3510lm / 1.5m	6200lm / 2.4m
	5000K	up		1705lm / 0.6m	3410lm / 1.2m	4290lm / 1.5m	6820lm / 2.4m
		down		1395lm / 0.6m	2790lm / 1.2m	3510lm / 1.5m	6200lm / 2.4m
	6500K	up		1705lm / 0.6m	3410lm / 1.2m	4290lm / 1.5m	6820lm / 2.4m
		down		1395lm / 0.6m	2790lm / 1.2m	3510lm / 1.5m	6200lm / 2.4m
H10096 RA 80 <small>(Direct: PC Diffuser, Indirect: TIR Lens)</small>	2700K	up		811lm / 0.6m	1705lm / 1.2m	2053lm / 1.5m	3264lm / 2.4m
		down		1699lm / 0.6m	3390lm / 1.2m	4265lm / 1.5m	6780lm / 2.4m
	3000K	up		901lm / 0.6m	1895lm / 1.2m	2282lm / 1.5m	3627lm / 2.4m
		down		1887lm / 0.6m	3767lm / 1.2m	4739lm / 1.5m	7533lm / 2.4m
	4000K	up		1001lm / 0.6m	2105lm / 1.2m	2535lm / 1.5m	4030lm / 2.4m
		down		2097lm / 0.6m	4185lm / 1.2m	5265lm / 1.5m	8370lm / 2.4m
	5000K	up		1001lm / 0.6m	2105lm / 1.2m	2535lm / 1.5m	4030lm / 2.4m
		down		2097lm / 0.6m	4185lm / 1.2m	5265lm / 1.5m	8370lm / 2.4m
	6500K	up		1001lm / 0.6m	2105lm / 1.2m	2535lm / 1.5m	4030lm / 2.4m
		down		2097lm / 0.6m	4185lm / 1.2m	5265lm / 1.5m	8370lm / 2.4m

**Note:**

- The given data are typical values in PC Diffuser. Due to tolerances of the production process and the electrical components, values for light output and electrical power can vary up to 10%.
- 15% less on luminous flux at Traic driver,DALI and 0/1-10V driver, and -10% Non-Dim driver.
- Above data based on Non-Dimmable for all luminaires.
- More customized LED and CCT available.
- LM-80, IES TM-30-15 testing report available for led.



## U516833 SURFACE LINEAR LIGHT

U5168 Series is linear LED lighting fixture that features a Down lighting. It's mostly simulating the natural lighting environment. Fixture features 80+ or 95+ Ra LEDs. White color from 2700K to 6500K. Dimmable driver available in Dali, 0/1-10V,DMX, PWM type. Fixture lengths are available in 2ft,4ft,5ft and 8ft, and custom lengths are available in 19.6ft.

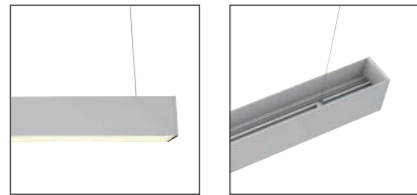
**Finish**

- Aluminum clear matt anodized
- White / Black powder coating
- Customized RAL color available

**Applications**

Indoor - Commercial, Residential , Office, Educational Institutions, Conference Rooms and many other workspace

**UGR**  
**<19**



**SPECIFICATIONS**

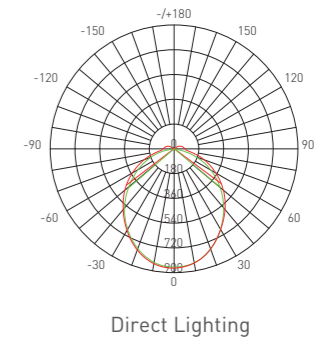
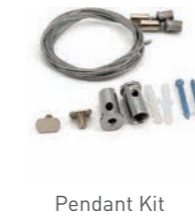
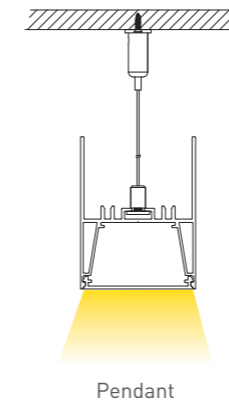
Voltage	220V-240VAC / 100V-240 VAC			
Width / Height	W51mm x H65mm			
Length	608mm	1208mm	1508mm	2408mm
Power (W/m /ft)	15.6 W/pc	31.1 W/pc	37.8 W/pc	62 W/pc
Efficacy Up to	85lm/w	90lm/w	90lm/w	90lm/w
Control	Dali , 0-10V, on/off			



**INSTALLATION**

**ACCESSORIES**

**BEAM ANGLE**



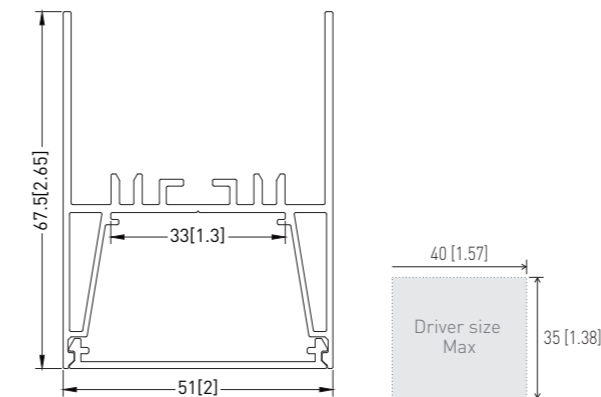
**ORDERING INFORMATION**

LUMINAIRE	FINISH	LENS	LENGTH	COLOR QUALITY <sup>1</sup>	COLOR TEMP <sup>2</sup>	CRI	INSTALL ACCS.	IP GRADE	CONTROL OPTOINS
U5168	W White	U UGR<19 Kit	2- 608mm	3 3-Step MacAdam Ellipse	27-2700K	80 80+ CRI	P Aircraft cable pendant	22 IP22	D1- DALI D2- 0-10V D3- On/off
	B Black	D Diffuser	4- 1208mm		30-3000K 35-3500K	90 90+ CRI			
	S Silver		5- 1508mm	5 5-Step MacAdam Ellips	40-4000K 50-5000K	95 95+ CRI			
			8- 2408mm		60-6000K 65-6500K				

1. Vivalyte's standard is 3-Step MacAdam

2. The listed Color Temperature is only available in CRI80+ in Epistar Chips, for 95+, 90+ in Epistar and Sumsung chips, pls. check the list on following page. For more options, pls. check with your executive sales.

**DIMENSION**



**LED CHIPS AND DRIVER OPTIONS**



# U516833

SURFACE LINEAR LIGHT

## SPECIFICATIONS

	Color Temperature	Lumen / Length			
RA 80	2700K	1204lm / 0.6m	2400lm / 1.2m	2917lm / 1.5m	4784lm / 2.4m
	3000K	1267lm / 0.6m	2526lm / 1.2m	3070lm / 1.5m	5036lm / 2.4m
	3500K	1334lm / 0.6m	2659lm / 1.2m	3232lm / 1.5m	5301lm / 2.4m
	4000K	1404lm / 0.6m	2799lm / 1.2m	3402lm / 1.5m	5580lm / 2.4m
	5000K	1404lm / 0.6m	2799lm / 1.2m	3402lm / 1.5m	5580lm / 2.4m
	6000K	1404lm / 0.6m	2799lm / 1.2m	3402lm / 1.5m	5580lm / 2.4m
	6500K	1404lm / 0.6m	2799lm / 1.2m	3402lm / 1.5m	5580lm / 2.4m
RA 90	2700K	963lm / 0.6m	1920lm / 1.2m	2333lm / 1.5m	3827lm / 2.4m
	3000K	1014lm / 0.6m	2021lm / 1.2m	2456lm / 1.5m	4029lm / 2.4m
	3500K	1067lm / 0.6m	2127lm / 1.2m	2586lm / 1.5m	4241lm / 2.4m
	4000K	1123lm / 0.6m	2239lm / 1.2m	2722lm / 1.5m	4464lm / 2.4m
	5000K	1123lm / 0.6m	2239lm / 1.2m	2722lm / 1.5m	4464lm / 2.4m
	5500K	1123lm / 0.6m	2239lm / 1.2m	2722lm / 1.5m	4464lm / 2.4m
	6500K	1123lm / 0.6m	2239lm / 1.2m	2722lm / 1.5m	4464lm / 2.4m
RA 95	2700K	867lm / 0.6m	1728lm / 1.2m	2100lm / 1.5m	3445lm / 2.4m
	3000K	912lm / 0.6m	1819lm / 1.2m	2211lm / 1.5m	3626lm / 2.4m
	3500K	960lm / 0.6m	1915lm / 1.2m	2327lm / 1.5m	3817lm / 2.4m
	4000K	1010lm / 0.6m	2015lm / 1.2m	2449lm / 1.5m	4017lm / 2.4m
	6500K	1010lm / 0.6m	2015lm / 1.2m	2449lm / 1.5m	4017lm / 2.4m
SAMSUNG RA 80	3000K	1200lm / 0.6m	2393lm / 1.2m	2909lm / 1.5m	4771lm / 2.4m
	4000K	1263lm / 0.6m	2519lm / 1.2m	3061lm / 1.5m	5022lm / 2.4m
	6500K	1263lm / 0.6m	2519lm / 1.2m	3061lm / 1.5m	5022lm / 2.4m

**Note:**

- The given data are typical values in PC Diffuser. Due to tolerances of the production process and the electrical components, values for light output and electrical power can vary up to 10%.
- 15% less on luminous flux at Traic driver, DALI and 0/1-10V driver, and -10% Non-Dim driver.
- 10% less on UGR<19 version.
- Above data based on Non-Dimmable for all luminaires.
- More customized LED and CCT available.
- LM-80, IES TM-30-15 testing report available for led.



# U514128

## SURFACE LINEAR LIGHT

U514128P / M / W is a linear LED lighting fixture that features direct lighting with External Driver. Low lighting glaring in tested UGR<16 performance. Fixture features 80+ or 95+ Ra LEDs. White color from 2700K to 6500K. Dimmable driver available in Dali, 0/1-10V, Triac type. Luminaries lengths are available in 2ft,4ft,5ft and 8ft, and custom lengths are available.

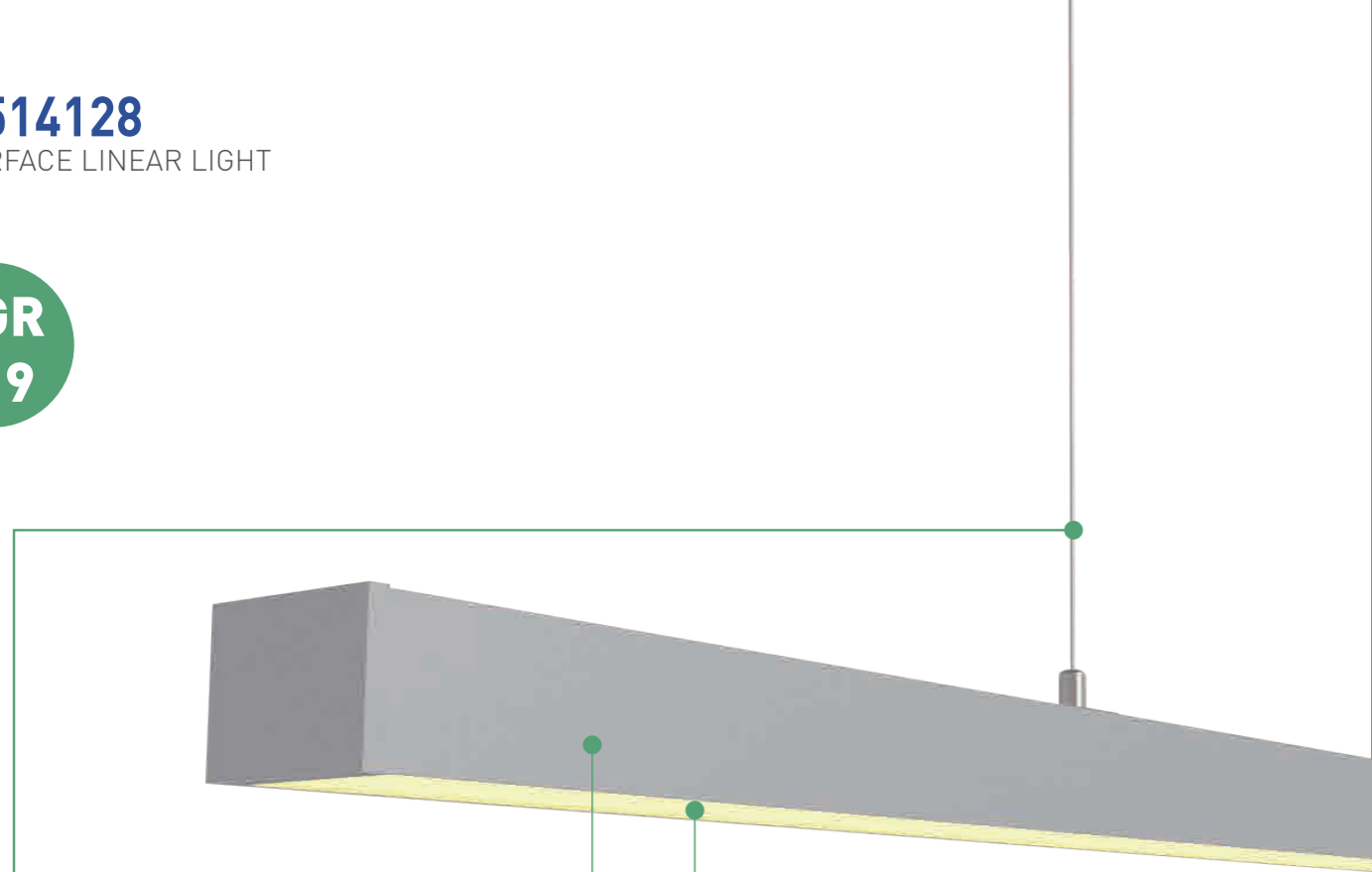
**Finish**

Aluminum clear matt anodized  
White / Black powder coating  
Customized RAL color available

**Applications**

Indoor - Commercial Residential , Office, Educational Instituions, Conference Rooms and many other workspaces.





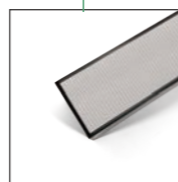
**Multiple Installation**

- Sus-pendant
- Ceiling Mounted



**Sensor Optional**

- Microwave Sensor
- IR Sensor
- Timer



**Optical options**

- Anti-Glare Film, UGR<19



**6063 Aluminum**

- Silver / Black clear matt anodize
- White/Black matt powder coating
- Customized RAL color available

**ORDERING INFORMATION**

LUMINAIRE	FINISH	LENS	LENGTH	COLOR QUALITY <sup>1</sup>	COLOR TEMP <sup>2</sup>	CRI	INSTALL ACCS.	IP GRADE	CONTROL OPTOINS
U514128	W White	U UGR<19 Kit	2 - 611mm	3 3-Step MacAdam Ellipse	27 - 2700K	80 80+ CRI	P Aircraft cable pendant	22 IP22	D1 - DALI D2 - 0-10V D3 - On/off
	B Black	D Diffuser	4 - 1211mm		30 - 3000K				
	S Silver		5 - 1511mm	5 5-Step MacAdam Ellips	35 - 3500K	90 90+ CRI			
			8 - 2411mm		40 - 4000K	95 95+ CRI			
					50 - 5000K				
					60 - 6000K				
					65 - 6500K				

1. Vivalyte's standard is 3-Step MacAdam  
 2. The listed Color Temperature is only available in CRI80+ in Epistar Chips, for 95+, 90+ in Epistar and Sumsung chips, pls. check the list on following page. For more options, pls. check with your executive sales.

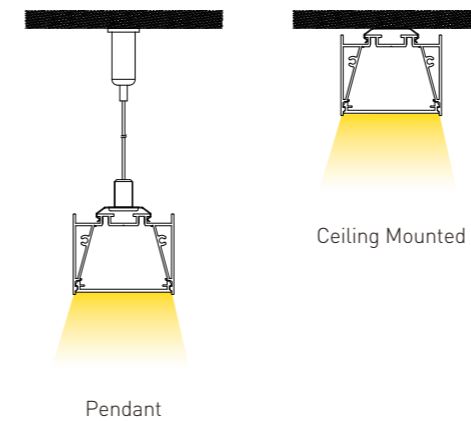
**SPECIFICATIONS**

Voltage	220V-240 VAC / 110-240VAC			
Width / Height	W51mm x H41mm			
Length	611mm	1211mm	1511mm	2411mm
Power (W/m /ft)	13 W/pc	26 W/pc	32 W/pc	52 W/pc
Efficacy Up to	90lm/w	90lm/w	90lm/w	90lm/w
Control	Dali , 0-10V, on/off			

**LED CHIPS AND DRIVER OPTIONS**



**INSTALLATION**



**ACCESSORIES**



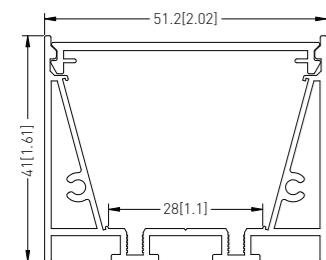
**SPECIFICATIONS**

	Color Temperature	Lumen / Length			
RA 80	2700K	1003lm / 0.6m	2006lm / 1.2m	2469lm / 1.5m	4019lm / 2.4m
	3000K	1056lm / 0.6m	2112lm / 1.2m	2599lm / 1.5m	4321lm / 2.4m
	3500K	1112lm / 0.6m	2223lm / 1.2m	2736lm / 1.5m	4454lm / 2.4m
	4000K	1170lm / 0.6m	2340lm / 1.2m	2880lm / 1.5m	4688lm / 2.4m
	5000K	1170lm / 0.6m	2340lm / 1.2m	2880lm / 1.5m	4688lm / 2.4m
	6000K	1170lm / 0.6m	2340lm / 1.2m	2880lm / 1.5m	4688lm / 2.4m
	6500K	1170lm / 0.6m	2340lm / 1.2m	2880lm / 1.5m	4688lm / 2.4m
RA 90	2700K	803lm / 0.6m	1605lm / 1.2m	1975lm / 1.5m	3210lm / 2.4m
	3000K	845lm / 0.6m	1689lm / 1.2m	2079lm / 1.5m	3379lm / 2.4m
	3500K	889lm / 0.6m	1778lm / 1.2m	2189lm / 1.5m	3557lm / 2.4m
	4000K	936lm / 0.6m	1872lm / 1.2m	2304lm / 1.5m	3744lm / 2.4m
	5000K	936lm / 0.6m	1872lm / 1.2m	2304lm / 1.5m	3744lm / 2.4m
	5500K	936lm / 0.6m	1872lm / 1.2m	2304lm / 1.5m	3744lm / 2.4m
	6500K	936lm / 0.6m	1872lm / 1.2m	2304lm / 1.5m	3744lm / 2.4m
RA 95	2700K	722lm / 0.6m	1444lm / 1.2m	1777lm / 1.5m	2888lm / 2.4m
	3000K	760lm / 0.6m	1520lm / 1.2m	1871lm / 1.5m	3040lm / 2.4m
	3500K	780lm / 0.6m	1600lm / 1.2m	1969lm / 1.5m	3201lm / 2.4m
	4000K	842lm / 0.6m	1684lm / 1.2m	2073lm / 1.5m	3369lm / 2.4m
	6500K	842lm / 0.6m	1684lm / 1.2m	2073lm / 1.5m	3369lm / 2.4m
SAMSUNG RA 80	3000K	950lm / 0.6m	1949lm / 1.2m	2339lm / 1.5m	3801lm / 2.4m
	4000K	1053lm / 0.6m	2160lm / 1.2m	2592lm / 1.5m	4212lm / 2.4m
	6500K	1053lm / 0.6m	2160lm / 1.2m	2592lm / 1.5m	4212lm / 2.4m

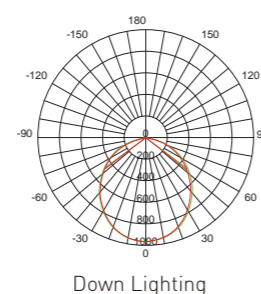
**Note:**

- The given data are typical values in PC Diffuser. Due to tolerances of the production process and the electrical components, values for light output and electrical power can vary up to 10%.
- 15% less on luminous flux at Traic driver, DALI and 0/1-10V driver, and -10% Non-Dim driver.
- 10% less on UGR<19 version.
- Above data based on Non-Dimmable for all luminaires.
- More customized LED and CCT available.
- LM-80, IES TM-30-15 testing report available for led.

**DIMENSIONS**



**BEAM ANGLE**



**U674128R**  
**TRIMMED RECESSED LINEAR LIGHT**

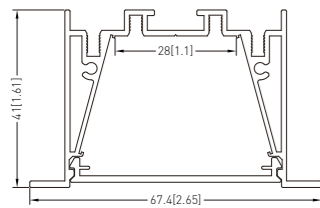
U674128R is a Trimmed Recessed linear LED lighting fixture that features direct lighting with External Driver. Low lighting glaring in tested UGR<16 performance. Fixture features 80+ or 95+ Ra LEDs. White color from 2700K to 6500K. Dimmable driver available in Dali, 0/1-10V, Triac type. Luminaries lengths are available in 2ft,4ft,5ft and 8ft, and custom lengths are available in 19.6ft.

**Finish**

Aluminum clear matt anodized  
White / Black powder coating  
Customized RAL color available

**Applications**

Indoor - Commercial Residential , Office, Educational Instituions, Conference Rooms and many other workspaces.



**ORDERING INFORMATION**

LUMINAIRE	FINISH	LENS	LENGTH	COLOR QUALITY <sup>1</sup>	COLOR TEMP <sup>2</sup>	CRI	INSTALL ACCS.	IP GRADE	CONTROL OPTOINS
U674128R	W White	U UGR<19 Kit	2 - 627mm	3	27 - 2700K	80	TR Trimed Recessed	22 IP22	D1 - DALI
			4 - 1227mm	3-Step MacAdam Ellipse	30 - 3000K	80+ CRI			
			5 - 1527mm	5	35 - 3500K	90			
	B Black	D Diffuser	8 - 2427mm	5-Step MacAdam Ellips	40 - 4000K	90+ CRI	95 95+ CRI		D2 - 0-10V
					50 - 5000K				
					60 - 6000K				
	S Silver					65 - 6500K			D3 - On/off

1. Vivalyte's standard is 3-Step MacAdam  
2. The listed Color Temperature is only available in CRI80+ in Epistar Chips, for 95+, 90+ in Epistar and Sumsung chips, pls. check the list on following page. For more options, pls. check with your executive sales.

**SPECIFICATIONS**

Voltage	220V-240 VAC / 110-240VAC			
Width / Height	67mm x 41mm			
Length	627mm	1227mm	1527mm	2427mm
Power (W/m /ft)	13 W/pc	26 W/pc	32W/pc	52W/pc
Efficacy Up to	90lm/w	90lm/w	90lm/w	90lm/w
Control	Dali , 0-10V, on/off			

**LED CHIPS AND DRIVER OPTIONS**



**SPECIFICATIONS**

	Color Temperature		Lumen / Length		
RA 80	2700K	1003lm / 0.6m	2006lm / 1.2m	2469lm / 1.5m	4013lm / 2.4m
	3000K	1056lm / 0.6m	2112lm / 1.2m	2599lm / 1.5m	4224lm / 2.4m
	3500K	1112lm / 0.6m	2223lm / 1.2m	2736lm / 1.5m	4446lm / 2.4m
	4000K	1170lm / 0.6m	2340lm / 1.2m	2880lm / 1.5m	4680lm / 2.4m
	5000K	1170lm / 0.6m	2340lm / 1.2m	2880lm / 1.5m	4680lm / 2.4m
	6000K	1170lm / 0.6m	2340lm / 1.2m	2880lm / 1.5m	4680lm / 2.4m
	6500K	1170lm / 0.6m	2340lm / 1.2m	2880lm / 1.5m	4680lm / 2.4m
RA 90	2700K	758lm / 0.6m	1605lm / 1.2m	1975lm / 1.5m	3210lm / 2.4m
	3000K	798lm / 0.6m	1689lm / 1.2m	2079lm / 1.5m	3379lm / 2.4m
	3500K	840lm / 0.6m	1778lm / 1.2m	2189lm / 1.5m	3557lm / 2.4m
	4000K	884lm / 0.6m	1872lm / 1.2m	2304lm / 1.5m	3744lm / 2.4m
	5000K	884lm / 0.6m	1872lm / 1.2m	2304lm / 1.5m	3744lm / 2.4m
	5500K	884lm / 0.6m	1872lm / 1.2m	2304lm / 1.5m	3744lm / 2.4m
	6500K	884lm / 0.6m	1872lm / 1.2m	2304lm / 1.5m	3744lm / 2.4m
RA 95	2700K	722lm / 0.6m	1444lm / 1.2m	1777lm / 1.5m	2888lm / 2.4m
	3000K	760lm / 0.6m	1520lm / 1.2m	1871lm / 1.5m	3041lm / 2.4m
	3500K	800lm / 0.6m	1600lm / 1.2m	1969lm / 1.5m	3201lm / 2.4m
	4000K	842lm / 0.6m	1684lm / 1.2m	2073lm / 1.5m	3369lm / 2.4m
	6500K	842lm / 0.6m	1684lm / 1.2m	2073lm / 1.5m	3369lm / 2.4m
SAMSUNG RA 80	3000K	950lm / 0.6m	1949lm / 1.2m	2339lm / 1.5m	3801lm / 2.4m
	4000K	1053lm / 0.6m	2160lm / 1.2m	2592lm / 1.5m	4212lm / 2.4m
	6500K	1053lm / 0.6m	2160lm / 1.2m	2592lm / 1.5m	4212lm / 2.4m

**Note:**  
 - The given data are typical values in PC Diffuser. Due to tolerances of the production process and the electrical components, values for light output and electrical power can vary up to 10%.  
 - 15% less on luminous flux at Traic driver, DALI and 0/1-10V driver, and -10% Non-Dim driver.  
 - 10% less on UGR<19 version.  
 - Above data based on Non-Dimmable for all luminaires.  
 - More customized LED and CCT available.  
 - LM-80, IES TM-30-15 testing report available for led.



# O30P

## O30M3-468 DOUBLE SIDES RING LIGHT

O30M3-468 Double sides Ring light is built by Alu. extrusion fixture with Silicone lens. It's creating smooth and comfort lighting.

The light sourced are Osram LED in 80+ or 90+ Ra available. Color temperature options from 2700K to 6500K, Dual white at WW+NW available. DMX dimmable available. Ring diameter available in Customized Multiple,  $\Phi$ 450mm,  $\Phi$ 600mm,  $\Phi$ 800mm.

### Finish

Aluminum clear matt anodized  
White / Black powder coating  
Customized RAL color available

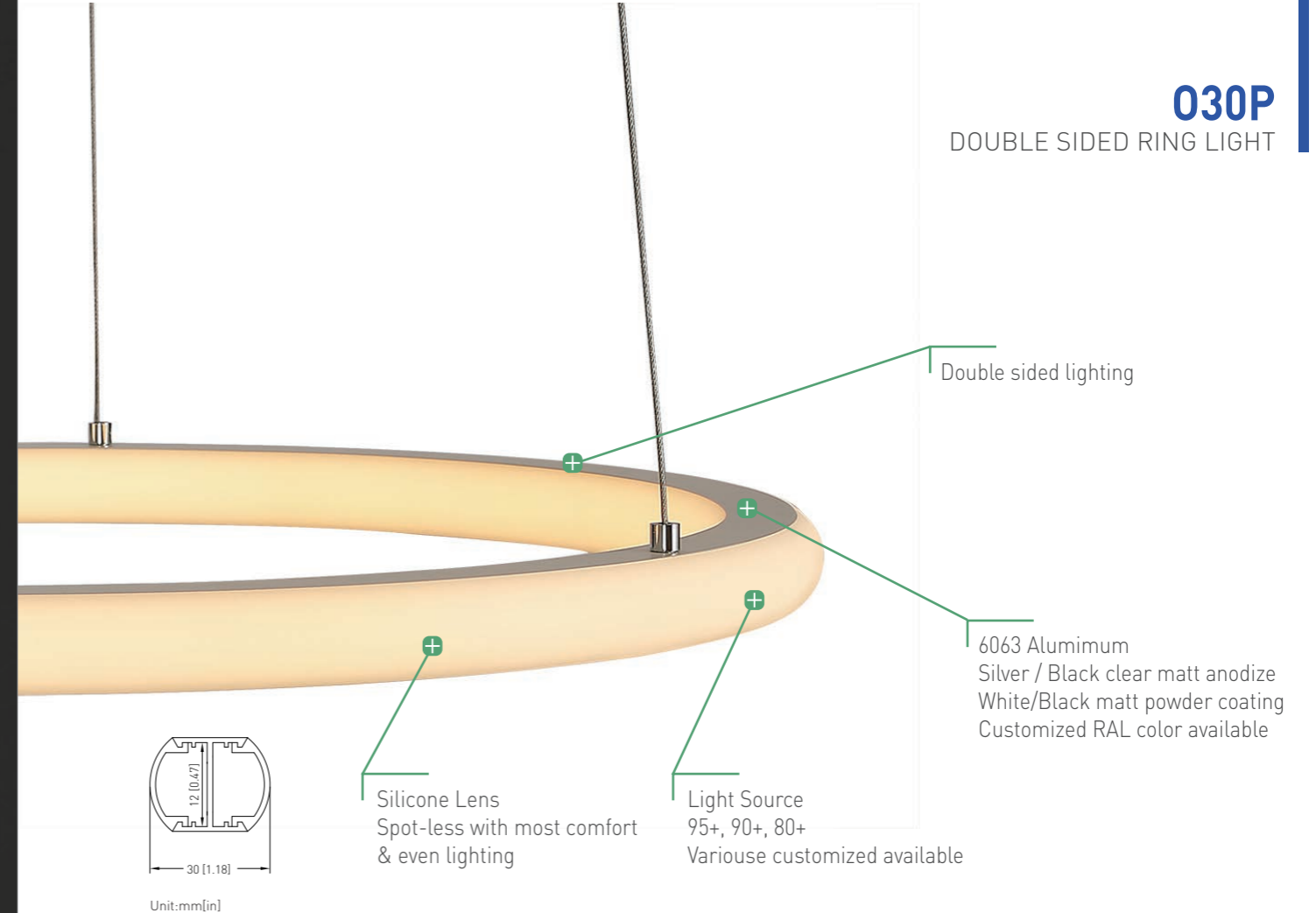
### Applications

Indoor - Resting Zone, Reception, etc.



# O30P

## DOUBLE SIDED RING LIGHT



2700K	3500K	4000K	Setable White Available 1800K+6500K
-------	-------	-------	--

Constant Voltage Light Source, various options please check our Light Strip catalog.

	Input Vol.	Power/pc	Lumen/pc	Dimming	Dimension (D)
O30M3-468	90-265 VAC	92W	5640 lm	DMX / Non-Dim	$\Phi$ 450mm + $\Phi$ 600mm + $\Phi$ 800mm
O30M3-81012	90-265 VAC	142W	9656 lm	DMX / Non-Dim	$\Phi$ 800mm + $\Phi$ 1000mm + $\Phi$ 1200mm
O30-4	90-265 VAC	25W	1530 lm	DMX / Non-Dim	$\Phi$ 450mm
O30-6	90-265 VAC	35W	2330 lm	DMX / Non-Dim	$\Phi$ 600mm
O30-8	90-265 VAC	40W	2500 lm	DMX / Non-Dim	$\Phi$ 800mm
O30-10	90-265 VAC	50W	3423 lm	DMX / Non-Dim	$\Phi$ 1000mm
O30-12	90-265 VAC	60W	4022 lm	DMX / Non-Dim	$\Phi$ 1200mm

\* Customize diameter available.

**Note:** The given data are typical values. Due to tolerances of the production process and the electrical components, values for light output and electrical power can vary up to 10%.

-15% luminous flux at Traic driver, DALI and 0/1-10V driver, and -10% Non-Dim driver.

**ORDERING INFORMATION**

LUMINAIRE	FINISH	LENS	LENGTH	COLOR QUALITY <sup>1</sup>	COLOR TEMP <sup>2</sup>	CRI	INSTALL ACCS.	IP GRADE	CONTROL OPTOINS
O20	W White	D Diffuser	4 φ 450mm	3 3-Step MacAdam Ellipse	30 - 3000K	80 80+ CRI	P Pendant	22 IP22	D1 - DALI D2 - 0-10V D3 - On/off
	B Black		6 φ 600mm						
	S Silver		8 φ 800mm	5 5-Step MacAdam Ellips	40 - 4000K	90 90+ CRI			
			10 φ 1000mm						
			12 φ 1200mm						
15 φ 1500mm									

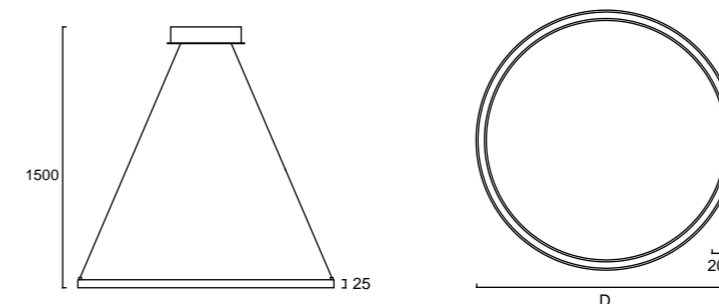
1. Vivalyte's standard is 3-Step MacAdam  
2. The listed Color Temperature is only available in CRI80+ in Osram Chips. For more options, pls. check with your executive sales.

**SPECIFICATION**

Model	O20-4	O20-6	O20-8	O20-10	O20-12	O20-15
Dimensions	φ 450×25mm	φ 600×25mm	φ 800×100mm	φ 1000×100mm	φ 1200×100mm	φ 1500×100mm
Wattage	25 W	35 W	40 W	50 W	60 W	72 W
Lumens	1532lm	2332lm	2515lm	3423lm	4022lm	4968lm
Voltage	90-265VAC					



**DIMENSIONS**



Unit: mm

**O20P**  
O20 RING LIGHT

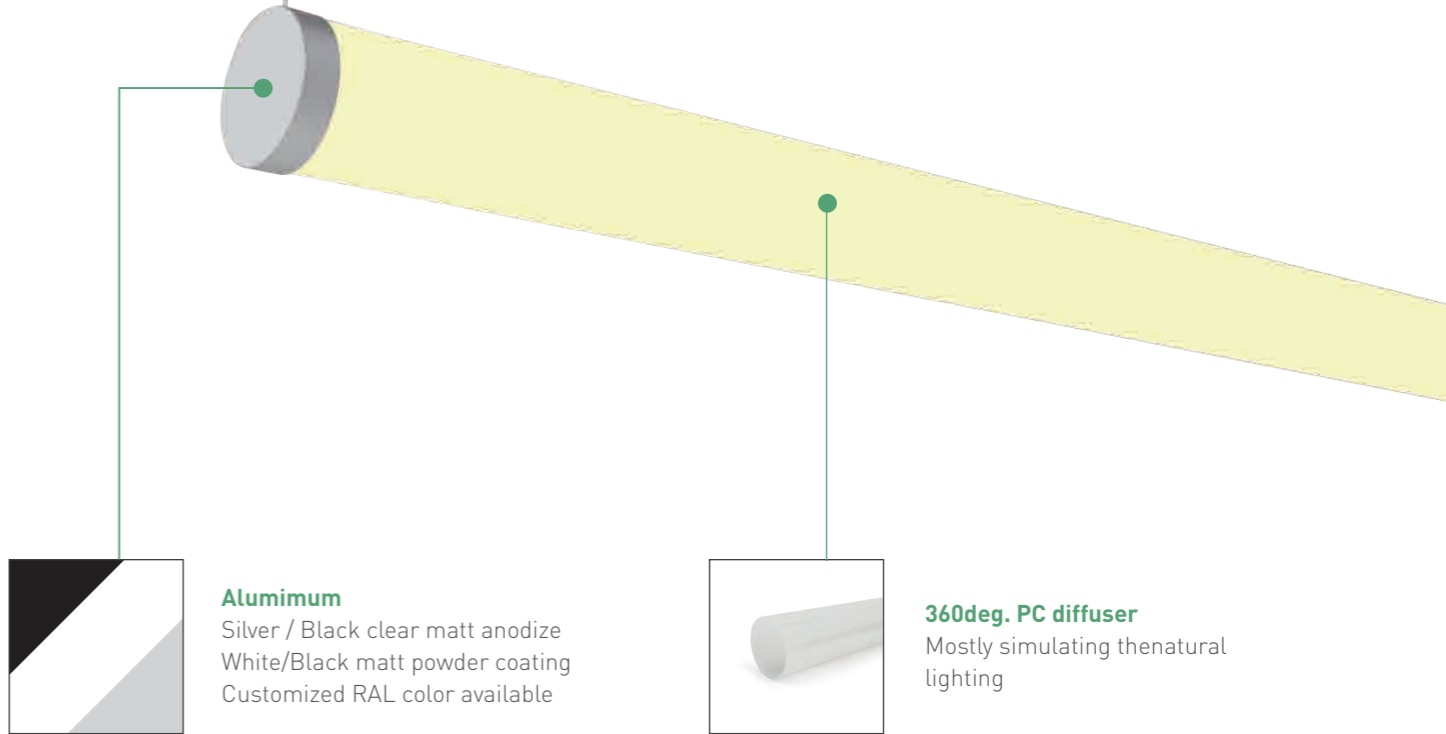
O20 Ring light is built by Alu. extrusion fixture with Silicone lens. It's creating smooth and comfort lighting without spot. It can be combined with Acoustic PET Panels for the Lighting + Sound Management system. The light sourced are available up to 95+ Ra. Color temperature options from 2700K to 6500K, Dual white at WW+NW available. DMX dimmable available.

**Finish**  
Aluminum clear matt anodized  
White / Black powder coating  
Customized RAL color available

**Applications**  
Indoor - Resting Zone, Reception, etc.

# O600610P

360DEG LINEAR LIGHT



# O600610P

## O600610P 360DEG ROUND PENDANT LINEAR LIGHT

O600610P is linear LED lighting fixture that features a 360° lighting. It's mostly simulating the natural lighting enviroment.  
 Fixture features 80+ or 95+ Ra LEDs. White color from 2700K to 6500K. Dimmable driver available in Dali, 0/1-10V, Triac type. Fixture lengths are available in 2ft,4ft,5ft and 8ft, and custom lengths are available in 19.6ft.

**Finish**  
 Aluminum clear matt anodized  
 White / Black powder coating  
 Customized RAL color available

**Applications**  
 Indoor - Office, Educational Instiutiuons, Conference Rooms and many other workspaces.



**ORDERING INFORMATION**

LUMINAIRE	FINISH	LENS	LENGTH	COLOR QUALITY <sup>1</sup>	COLOR TEMP <sup>2</sup>	CRI	INSTALL ACCS.	IP GRADE	CONTROL OPTOINS
0600610P	W White	D Diffuser	2 - 630mm	3	27 - 2700K	95	P Vertical Pendant	22 IP22	D1 - DALI
			4 - 1230mm	3-Step MacAdam Ellipse	30 - 3000K	95+ CRI			
			5 - 1530mm	5	35 - 3500K	95			
	B Black		6 - 1830mm	5-Step MacAdam Ellips	40 - 4000K	95+ CRI	HP Horizontal Pendant		
			S Silver	50 - 5000K	95				
				60 - 6000K	95+ CRI				
	65 - 6500K								

1. Vivalyte's standard is 3-Step MacAdam  
2. The listed Color Temperature is only available in CRI80+ in Epistar Chips, for 95+, 90+ in Epistar and Sumsung chips, pls. check the list on following page. For more options, pls. check with your executive sales.

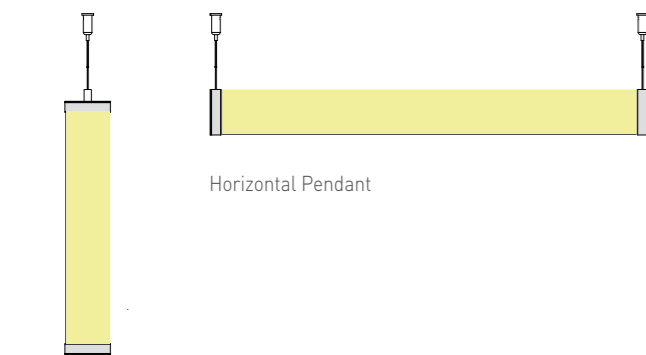
**SPECIFICATION**

Voltage	220V-240VAC / 100V-240 VAC			
Width / Height	φ 63mm			
Length	630mm	1230mm	1530mm	1830mm
Power (W/m /ft)	13 W/pc	27 W/pc	33.5 W/pc	40 W/pc
Efficacy Up to	100lm/w	108lm/w	108lm/w	108lm/w
Control	Dali , 0-10V, on/off			

**LED CHIPS AND DRIVER OPTIONS**



**INSTALLATION**



Vertical Cylinder

Horizontal Pendant

**ACCESSORIES**



Aircraft Cable Pendant Kit

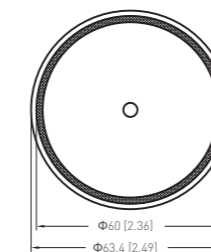
**SPECIFICATIONS**

	Color Temperature		Lumen / Length		
RA 80	2700K	1204lm / 0.6m	2500lm / 1.2m	2585lm / 1.5m	3704lm / 1.8m
	3000K	1267lm / 0.6m	2632lm / 1.2m	2721lm / 1.5m	3899lm / 1.8m
	3500K	1334lm / 0.6m	2770lm / 1.2m	2864lm / 1.5m	4104lm / 1.8m
	4000K	1404lm / 0.6m	2916lm / 1.2m	3015lm / 1.5m	4320lm / 1.8m
	5000K	1404lm / 0.6m	2916lm / 1.2m	3015lm / 1.5m	4320lm / 1.8m
	6000K	1404lm / 0.6m	2916lm / 1.2m	3015lm / 1.5m	4320lm / 1.8m
	6500K	1404lm / 0.6m	2916lm / 1.2m	3015lm / 1.5m	4320lm / 1.8m
RA 90	2700K	963lm / 0.6m	2000lm / 1.2m	2068lm / 1.5m	2963lm / 1.8m
	3000K	1014lm / 0.6m	2106lm / 1.2m	2177lm / 1.5m	3119lm / 1.8m
	3500K	1067lm / 0.6m	2216lm / 1.2m	2291lm / 1.5m	3283lm / 1.8m
	4000K	1123lm / 0.6m	2333lm / 1.2m	2412lm / 1.5m	3456lm / 1.8m
	5000K	1123lm / 0.6m	2333lm / 1.2m	2412lm / 1.5m	3456lm / 1.8m
	5500K	1123lm / 0.6m	2333lm / 1.2m	2412lm / 1.5m	3456lm / 1.8m
	6500K	1123lm / 0.6m	2333lm / 1.2m	2412lm / 1.5m	3456lm / 1.8m
RA 95	2700K	867lm / 0.6m	1800lm / 1.2m	1861lm / 1.5m	2666lm / 1.8m
	3000K	912lm / 0.6m	1895lm / 1.2m	1959lm / 1.5m	2807lm / 1.8m
	3500K	960lm / 0.6m	1995lm / 1.2m	2062lm / 1.5m	2955lm / 1.8m
	4000K	1011lm / 0.6m	2100lm / 1.2m	2171lm / 1.5m	3110lm / 1.8m
	6500K	1011lm / 0.6m	2100lm / 1.2m	2171lm / 1.5m	3110lm / 1.8m
SAMSUNG RA 80	3000K	1141lm / 0.6m	2368lm / 1.2m	2449lm / 1.5m	3509lm / 1.8m
	4000K	1264lm / 0.6m	2624lm / 1.2m	2714lm / 1.5m	3888lm / 1.8m
	6500K	1264lm / 0.6m	2624lm / 1.2m	2714lm / 1.5m	3888lm / 1.8m

**Note:**

- The given data are typical values in PC Diffuser. Due to tolerances of the production process and the electrical components, values for light output and electrical power can vary up to 10%.
- 15% less on luminous flux at Traic driver, DALI and 0/1-10V driver, and -10% Non-Dim driver.
- Above data based on Non-Dimmable for all luminaires.
- More customized LED and CCT available.
- LM-80, IES TM-30-15 testing report available for led.

**DIMENSIONS**



Unit:mm[in]



# 0100P

## 0100 RING LIGHT

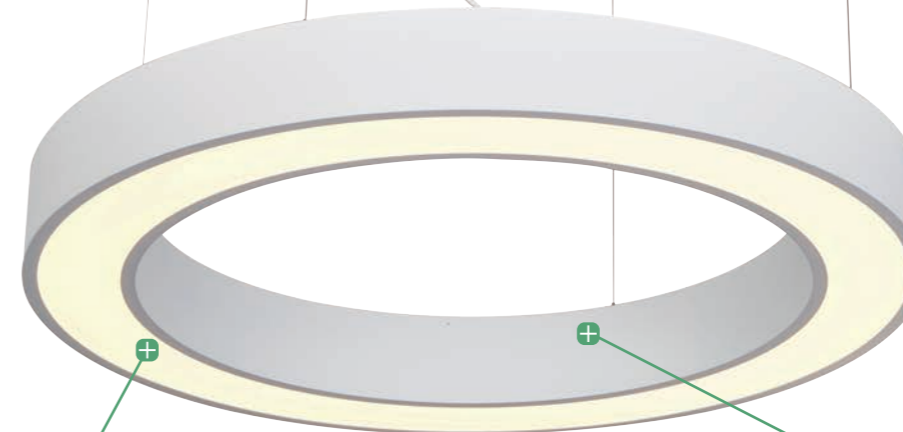
0100 Ring light is built by Alu. extrusion fixture with PMMA lens. Equiped Osram SMD LEDs in Warm White or Neutral White, with MeanWell Drivers for Non-Dim option. Uninterrupted lines of light for maximum uniformity and aesthetics. The light sourced are Osram LED in 80+ or 90+ Ra available. Color temperature options from 2700K to 6500K.

**Finish**  
 Aluminum clear matt anodized  
 White / Black powder coating  
 Customized RAL color available

**Applications**  
 Indoor - Resting Zone, Reception, etc.

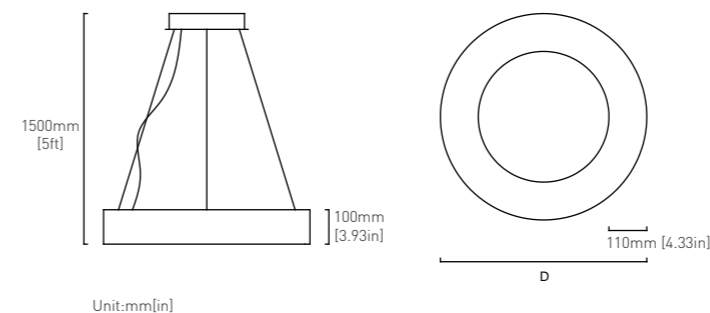
# 0100P

## RING LIGHT



PMMA Lens  
 One piece laser cut

6063 Aluminum  
 Silver / Black clear matt anodize  
 White/Black matt powder coating  
 Customized RAL color available



Unit:mm[in]

2700K	3500K	4000K	Setable White Available 1800K+6500K
-------	-------	-------	--

	Input Vol.	Power/pc	Lumen/pc [Light W driver]	Dimming	Lens	Dimension (D x W x H)
010045	90-265 VAC	30W	1500 lm	0-10V/ DALI / Non-Dim	PMMA 1pc	450 x 110 x 100mm
010060	90-265 VAC	40W	2300 lm	0-10V/ DALI / Non-Dim	PMMA 1pc	600 x 110 x 100mm
010075	90-265 VAC	60W	3150 lm	0-10V/ DALI / Non-Dim	PMMA 1pc	750 x 110 x 100mm
010010	90-265 VAC	72W	4150 lm	0-10V/ DALI / Non-Dim	PMMA 1pc	900 x 110 x 100mm
010012	90-265 VAC	92W	5050 lm	0-10V/ DALI / Non-Dim	PMMA 1pc	1000 x 110 x 100mm
010015	90-265 VAC	120W	7200 lm	0-10V/ DALI / Non-Dim	PMMA 2pcs	1500 x 110 x 100mm
010018	90-265 VAC	140W	8100 lm	0-10V/ DALI / Non-Dim	PMMA 2pcs	1800 x 110 x 100mm

**Note:** The given data are typical values. Due to tolerances of the production process and the electrical components, values for light output and electrical power can vary up to 10%.

-15% luminous flux at DALI and 0/1-10V driver, and -10% Non-Dim driver.





LED FLEX PANEL

# S100P

## S100 SQUARE LIGHT

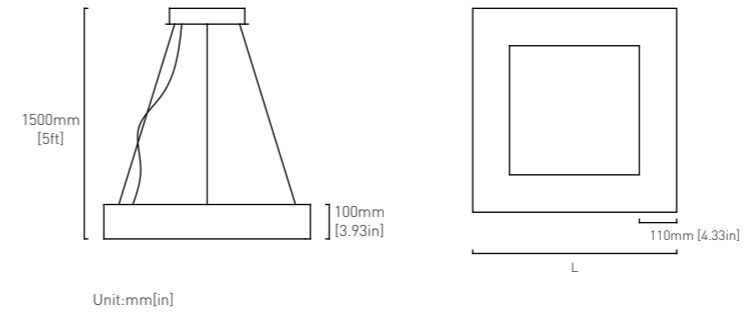
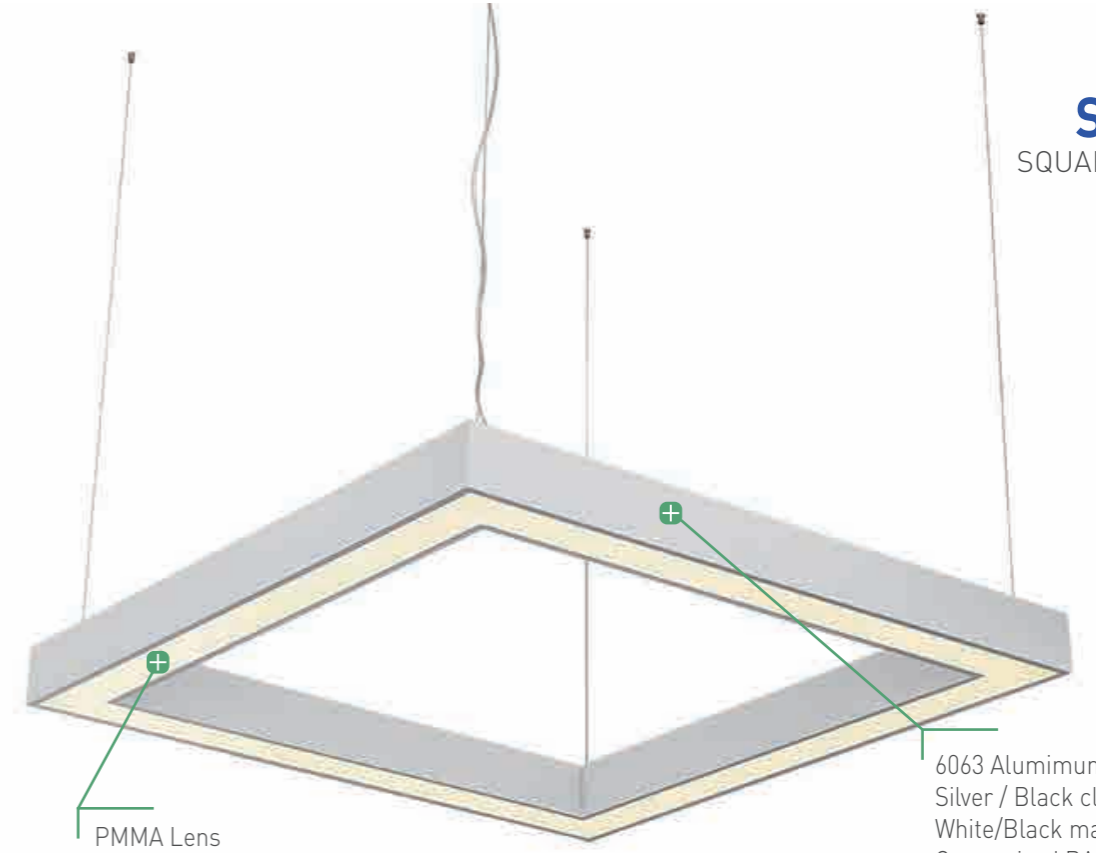
S100 Square light is built by Alu. extrusion fixture with PMMA lens. Equiped Osram SMD LEDs in Warm White or Neutral White, with MeanWell Drivers for Non-Dim option. Uninterrupted lines of light for maximum uniformity and aesthetics. The light sourced are Osram LED in 80+ or 90+ Ra avaiable. Color temperature options from 2700K to 6500K.

**Finish**  
 Aluminum clear matt anodized  
 White / Black powder coating  
 Customized RAL color available

**Applications**  
 Indoor - Resting Zone, Reception, etc.

# S100P

## SQUARE LIGHT



2700K	3500K	4000K	Setable White Available 1800K+6500K
-------	-------	-------	--

	Input Vol.	Power/pc	Lumen/pc [Light W driver]	Dimming	Lens	Dimension (D x W x H)
S10085	90-265 VAC	72W	4032 lm	0-10V/ DALI / Non-Dim	PMMA 1pc	850 x 850 x 100mm
S10012	90-265 VAC	142W	7812 lm	0-10V/ DALI / Non-Dim	PMMA 2pcs	1200 x 1200 x 100mm

**Note:** The given data are typical values. Due to tolerances of the production process and the electrical components, values for light output and electrical power can vary up to 10%.  
 -15% luminous flux at DALI and 0/1-10V driver, and -10% Non-Dim driver.